



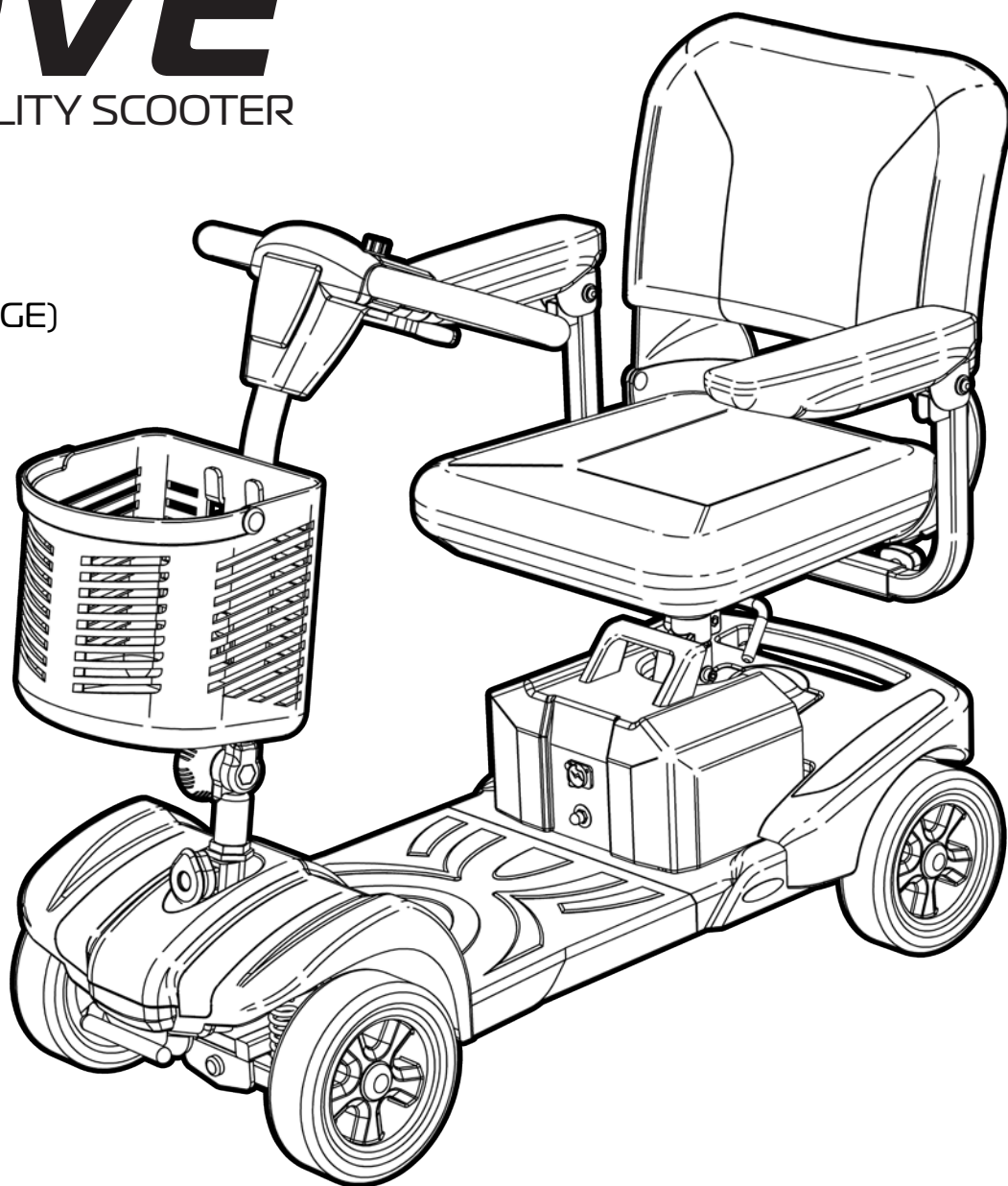
MOVE

PORTABLE MOBILITY SCOOTER

IK4SEB (BLUE)

IK4SEO (ORANGE)

Edition 1

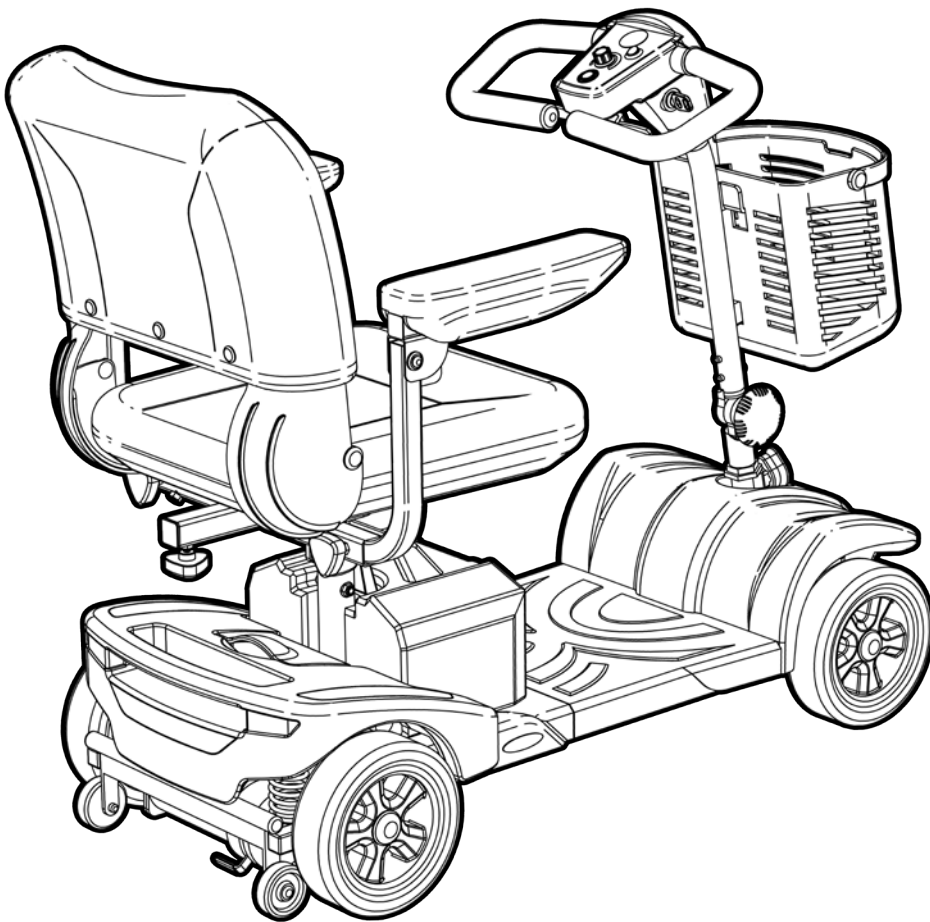


USER MANUAL

Please read and keep these instructions

ASK FOR THE BRAND

ikonmobility.com.au



IKON Mobility owns the copyright to the MOVE Portable Mobility Scooter user manual. Any information contained in this user manual shall not be photocopied, reproduced or translated into any other languages without the prior written consent of IKON Mobility.

IKON Mobility strives to provide the highest quality products possible. Product is subject to change without notice.

© Copyright **IKON Mobility**



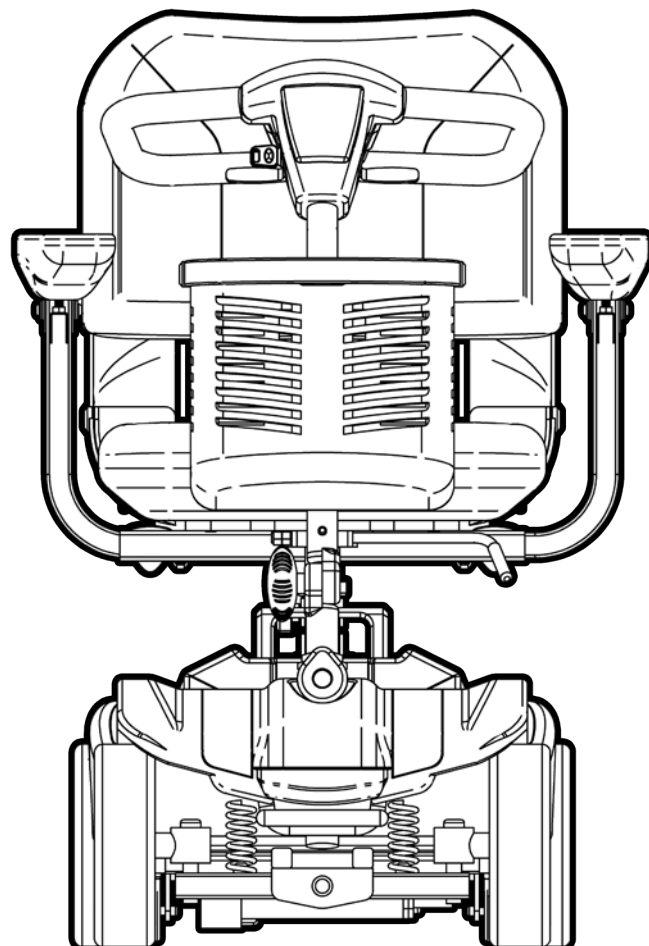
IKON Mobility is part of **FOR-DE Group Pty Ltd**

ASK FOR THE BRAND

ikonmobility.com.au

CONTENTS

1. **INTRODUCTION**
2. **FEATURES**
3. **SPECIFICATIONS**
4. **SAFETY ADVICE**
5. **SAFETY ADVICE** (CONTINUED)
6. **EMI WARNING**
7. **EMI WARNING** (CONTINUED)
8. **UNPACK and INSPECT SUPPLIED PARTS**
9. **GLOSSARY OF SCOOTER**
10. **SCOOTER SET UP PRIOR TO USE**
11. **CONNECT BASE**
12. **CONNECT BASE** (CONTINUED)
13. **RAISE TILLER**
14. **UNLOCK TILLER**
15. **FIT BASKET**
16. **FIT BATTERY PACK**
17. **FIT SEAT**
18. **LIFT UP BACKREST**
19. **PREPARE THE SCOOTER FOR USE**
20. **ROTATE UP ARMRESTS**
21. **ROTATE SEAT**
22. **ADJUST SEAT HEIGHT**
23. **ADJUST ARMREST WIDTH**
24. **ADJUST ARMREST ANGLE**
25. **ADJUST TILLER ANGLE**
26. **INSPECT THE SCOOTER PRIOR TO USE**
27. **CHARGING BATTERY PACK**
28. **CHARGING BATTERY PACK** (CONTINUED)
29. **PREPARE TO RIDE THE SCOOTER**
30. **TURN ON SCOOTER**
31. **SCOOTER CONTROLS**
32. **OPERATING THE SCOOTER**
33. **RESET THE BATTERY PACK**
34. **DISENGAGE MOTOR (FREEWHEELING)**
35. **PULL APART THE SCOOTER**
36. **REMOVE SEAT**
37. **REMOVE BATTERY PACK**
38. **FOLD DOWN TILLER**
39. **PULL APART THE BASE**
40. **LIFTING THE SCOOTER**
41. **TROUBLESHOOTING**
42. **INSPECT / MAINTAIN / SERVICE**
43. **CLEANING THE SCOOTER**
44. **WARRANTY**
45. **WARRANTY** (CONTINUED)
46. **ACCESSORIES**
47. **ACCESSORIES**
48. **ACCESSORIES** (CONTINUED)



INTRODUCTION

Thank you for purchasing this IKON Mobility product.

If you have any issues or questions about the MOVE Portable Mobility Scooter please contact your supplier or IKON Mobility direct:

T: **+61 8 9248 4180**

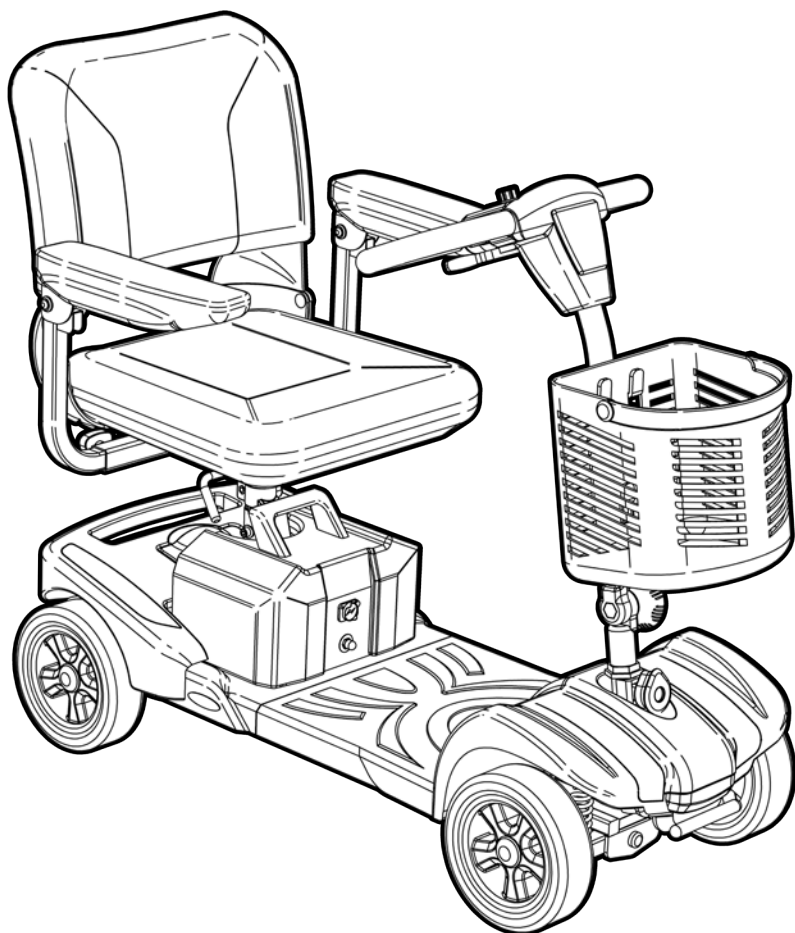
E: **orders@for-de.com.au**

A: **1 Business Way, Malaga, Western Australia 6090**

INTENDED USE

This product has limitations and should be used in accordance to these guidelines. Failure to follow these guidelines may result in damage to the product and injury to the user.

This equipment **MUST** be assembled and used by a competent person. It is the responsibility of the user to ensure the suitability of this product for its intended use. The user should consult their appropriate healthcare professional if unsure of the correct product usage for their unique circumstances.



IMPORTANT NOTE

If you are ever unsure about any aspect of the MOVE Portable Mobility Scooter please do not use and contact your supplier for support.

1.

ASK FOR THE BRAND

ikonmobility.com.au

FEATURES

PORTABLE SCOOTER

- Portable scooter
- Pulls apart for transport and storage
- Full suspension
- Comfortable mid back contoured rotating seat
- Height adjustable seat
- Width adjustable flip up padded armrests
- Padded loop handlebar
- Angle adjustable tiller
- Fingertip operated controls
- Forward / Reverse drive settings
- Variable speed settings
- Battery power indicator
- LED Headlight
- Horn
- Removable basket with fold down handle
- Rear wheel drive
- Flat free tyres
- Electromagnetic brake
- Front nudge bar
- Anti tip wheels at rear

Please contact your supplier or IKON Mobility if you require any further information on the MOVE Portable Mobility Scooter.



2.

SPECIFICATIONS

Note: All dimensions shown are nominal

- Overall: **1080mm (L) x 590mm (W) x 880mm (H)**
 - Overall pulled apart (including part weight):
 - Front assembly: **940mm (L) x 440mm (W) x 410mm (H) - 19kgs**
 - Rear wheel assembly: **320mm (L) x 490mm (W) x 250mm (H) - 13kgs**
 - Battery pack: **330mm (W) x 230mm (D) x 230mm (H) - 16kgs**
 - Seat (folded down): **460mm (W) x 610mm (D) x 530mm (H) - 11kgs**
 - Basket: **270mm (W) x 210mm (D) x 240mm (H) - 1kg**
 - Seat: **420 - 550mm (W- int.) x 440mm (D) x 330mm / 355mm / 380mm (H)**
 - Armrests: **325mm (L) x 80mm (W) x 230mm (H from seat) - 45° range**
 - Tiller: **410mm (W) x 660mm- varies with angle (H) x 0 - 120° range**
 - Turning Circle: **1400mm**
 - Speed: **6.4km/h**
 - Maximum range: **Up to 18km***
 - Safe climb angle: **6°**
 - Maximum climb angle: **10°**
 - Motor: **270W high torque motor**
 - Batteries: **2 x 24V / 20 Ah (supplied)**
 - Charger: **2 Amp (Supplied)**
 - Tyres (Flat free): **Front / Rear: Ø200mm (8")**
 - Product Weight: **60kg**
 - Maximum User Weight: **130kg (on flat ground)**
- * Maximum range is based on an ambient temperature of 20°C, 75kg user, brand new fully charged battery and constant driving speed of 5km/h on flat level ground.

Please contact your supplier or IKON Mobility if you would like any further information on the MOVE Portable Mobility Scooter.

3.

ASK FOR THE BRAND

ikonmobility.com.au

SAFETY ADVICE

For your own safety, please read the user manual before using the MOVE Portable Mobility Scooter. Failure to follow these guidelines may result in damage to the product and put the user at risk. If in any doubt, contact your supplier directly for advice.

- Please make sure that you are physically capable to operate this unit.
Consult your dealer/appropriate healthcare professional for advice prior to use.
- The MOVE Portable Mobility Scooter is designed to take maximum user weight of 130kg.
- Designed for single person use only (Do not carry passengers)
- Do not travel up inclines over 10 degrees (17.6% grade).
- Reduce speed when turning.
- Do not get on or off the scooter unless the brake is on and the scooter is switched off.
- Do not switch off the scooter while the scooter is moving.
- Do not drive the scooter where you can not safely or legally walk.
- Do not attempt to drive over curbs greater than 6.5cm in height. Doing so could cause your scooter to turn over, causing personal injury or damage to the scooter. For curbs less than 6.5cm, always approach them at an angle of 90 degrees and at a low speed.
- Do not drink or use a mobile phone when driving your scooter.
- Always keep your feet on the scooter when moving.
- Always slow down and proceed carefully when traveling over rough or uneven ground.
- For individuals with balance problems, practice getting on the scooter with the assistance of a qualified healthcare professional.
- Do not use an escalator to move a scooter between floors or serious injury could occur.
- Do not drive the scooter on an incline that has oil, water or ice film on it.
- Do not try to lift the scooter by its seat, tiller, rear chassis cover, or any removable parts. Any of these could cause injury to the user or damage to the scooter.
- Do not use parts or accessories that are not authorised by the original manufacturer of the scooter.
- Before sitting in or exiting the scooter, REMOVE the key from the ignition. This will ensure the POWER is off and the scooter can not move under its own power. As a general precaution, always remove the key from the ignition while the scooter is not in use. This will prevent the use by untrained and unauthorised persons.
- Do not connect any foreign device to the scooter battery or charging port. This could cause failure of the device, the scooter and personal injury.

SAFETY ADVICE (CONTINUED)

- Make sure the tiller is properly adjusted and in the locked position to suit the user to avoid damage and injury.
- It is not allowed to have any person sitting in the scooter when transported by a vehicle, otherwise any injury or damage that might result.
- Do not use the scooter in the rain, near a shower or in a damp bathroom. Direct exposure to rain or dampness could cause the scooter to electrically malfunction.
- Do not lean against or pull forward on the tiller while mounting or dismounting the scooter. Otherwise, injury may occur.
- Do not operate the unit or turn the key on while charging.
- Whenever a center bolt of the wheel assembly has been loosened, please replace a specified new bolt from authorized dealers and secure with a torque of 240 ± 5 kg-cm together with Loctite 271 adhesive (or equivalent).
- Charge battery pack daily after use.
- Charging plug has to be removed from the scooter after charging.
- Always check the battery pack charge remaining before operating the unit to ensure you have sufficient for your journey.
- Always charge the battery pack of the unit in a well ventilated area.
- If the unit went over or sank into deep water, please abandon the scooter and call emergency services for assistance.
- Always remove the key from the scooter when the unit is not in use or before charging, removing and installing the battery pack. Otherwise, injury and/or damage to the unit or surrounding property may occur.
- Do not operate the unit in the way of exceeding to the product's specification listed in this owner's manual. Otherwise, injury and/or damage to the unit or surrounding property may occur. Doing so may also void your warranty.
- Do not use the speed lever before the key switch is turned on, or the operation will be prohibited until to turn key switch off and then on.
- Ensure the scooter is serviced every 12 months by an authorised IKON Mobility service provider to ensure it remains in safe working order. Failure to do so may cause catastrophic failure with possible injury and damage to surrounding property.

5.

EMI WARNING

Scooters may be susceptible to electromagnetic interference (EMI), which is a kind of interfering electromagnetic energy (EM) emitted from sources such as radio stations, TV stations, amateur radio (HAM) transmitters, two-way radio and mobile phones. The interference (from radio wave sources) can cause the scooter to release its brakes, move by itself, or move in unintended directions. It can also permanently damage the scooter's control system.

The sources of radiated EMI can be broadly classified into three types:

1. Hand-held portable transceivers (transmitters-receivers) with the antenna mounted directly on the transmitting unit. Examples include: citizens band (CB) radios, "walkie talkie", security, fire and police transceivers, cellular telephones, and other personal communication devices.

NOTE! Some mobile phones and similar devices transmit signals while they are ON, even when not being used.

2. Medium-range mobile transceivers, such as those used in police cars, fire trucks, ambulances, and taxis. These usually have the antenna mounted on the outside of the vehicle.

3. Long-range transmitters and transceivers, such as commercial broadcast transmitters (radio and TV broadcast antenna towers) and amateur (HAM) radios.

NOTE! Other types of hand-held devices, such as cordless phones, laptop computers, AM/FM radios, TV sets, CD players, and cassette players, and small appliances, such as electric shavers and hair dryers, so far as we know, are not likely to cause problems to the scooter.

Scooter Electromagnetic Interference (EMI)

Because EM energy rapidly becomes more intense as one moves closer to the transmitting antenna (source), the EM fields from hand-held radio sources (transceivers) are of special concern. It is possible to unintentionally bring high levels of EM energy very close to the scooter's control system while using these devices. This can affect scooter movement and braking. Therefore, the warnings listed below are recommended to prevent possible interference with the control system of the scooter.

EMI WARNING (CONTINUED)

WARNINGS

1. Do not operate hand-held transceivers (transmitters-receivers), such as citizens band (CB) radios, or turn ON personal communication devices, such as mobile phones, while the scooter is turned ON.
2. Be aware of nearby transmitters, such as radio or TV stations, and try to avoid coming close to them.
3. If unintended movement or brake release occurs, turn the scooter OFF as soon as it is safe.
4. Be aware that adding accessories or components, or modifying the scooter may make it more susceptible to EMI.

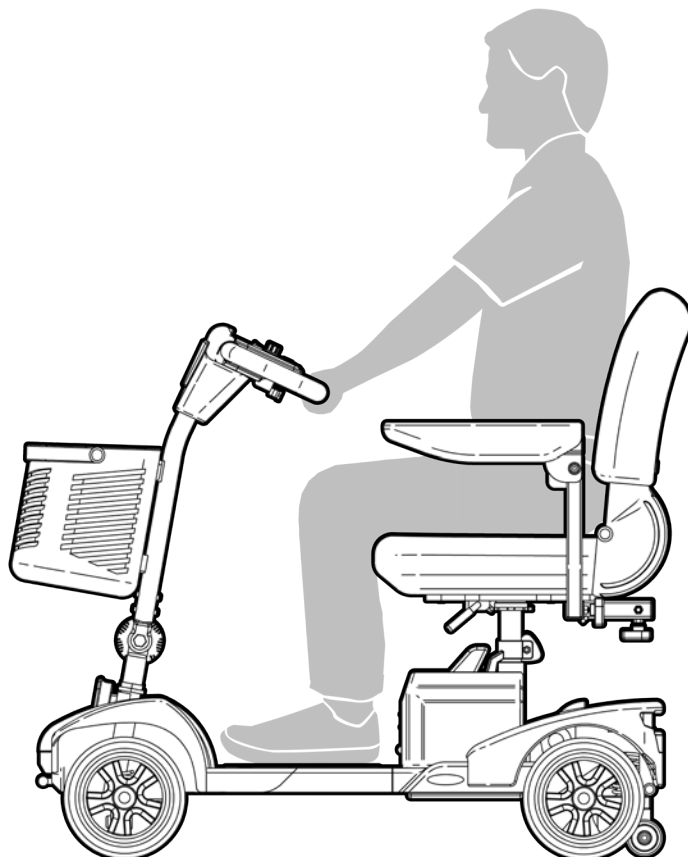
NOTE! There is no easy way to evaluate the overall immunity of the scooter.

5. Report all incidents of unintended movement or braking to your dealer, and note whether there are sources of EMI nearby.

WARNING: The original manufacturer and the importer of the scooter is not responsible for damage or injury incurred due to improper and unsafe use of our scooter.

IMPORTANT NOTE

If you are ever unsure about any aspect of the MOVE Portable Mobility Scooter please do not use and contact your supplier for support.



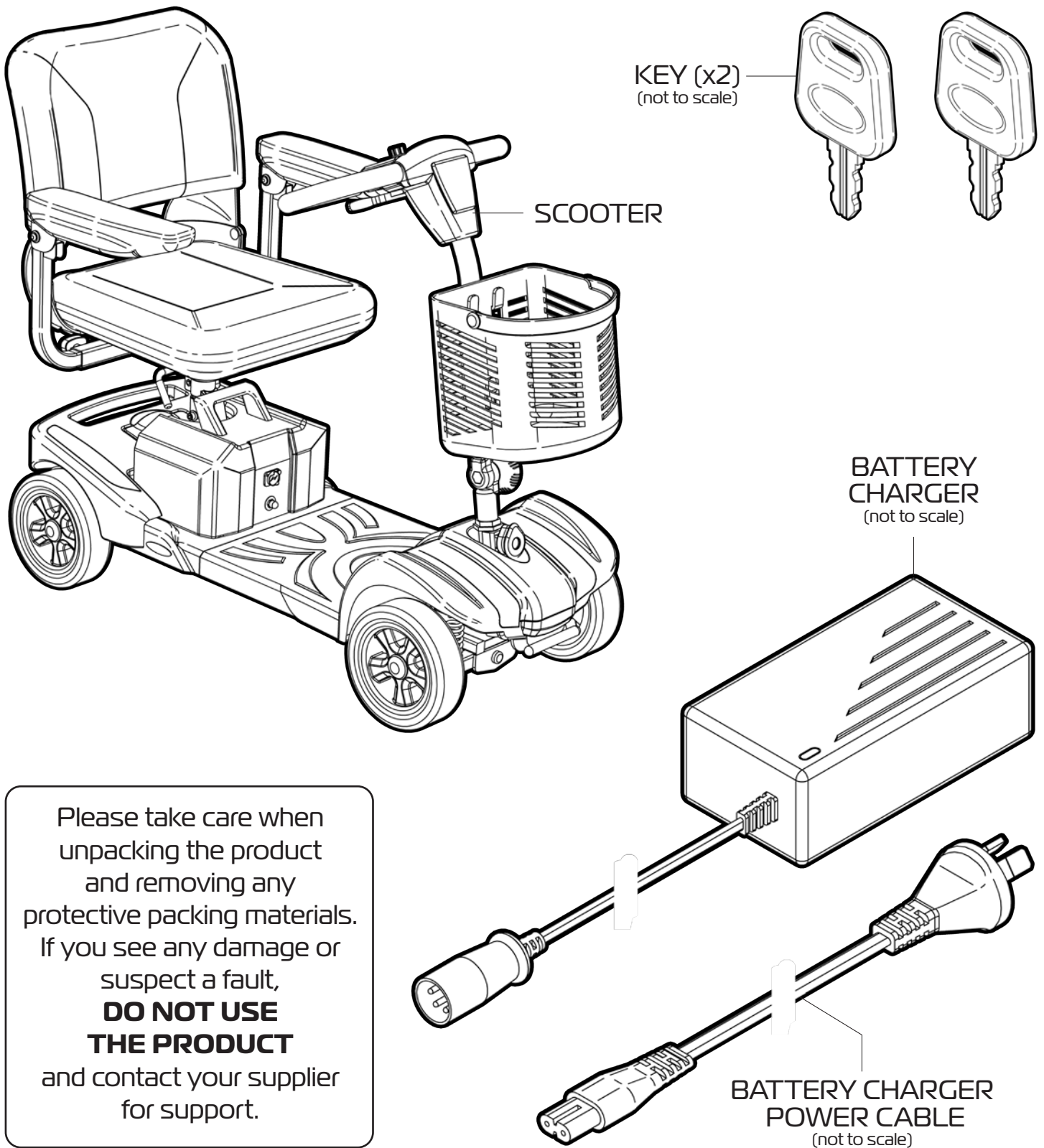
7.

ASK FOR THE BRAND

ikonmobility.com.au

UNPACK and INSPECT SUPPLIED PARTS

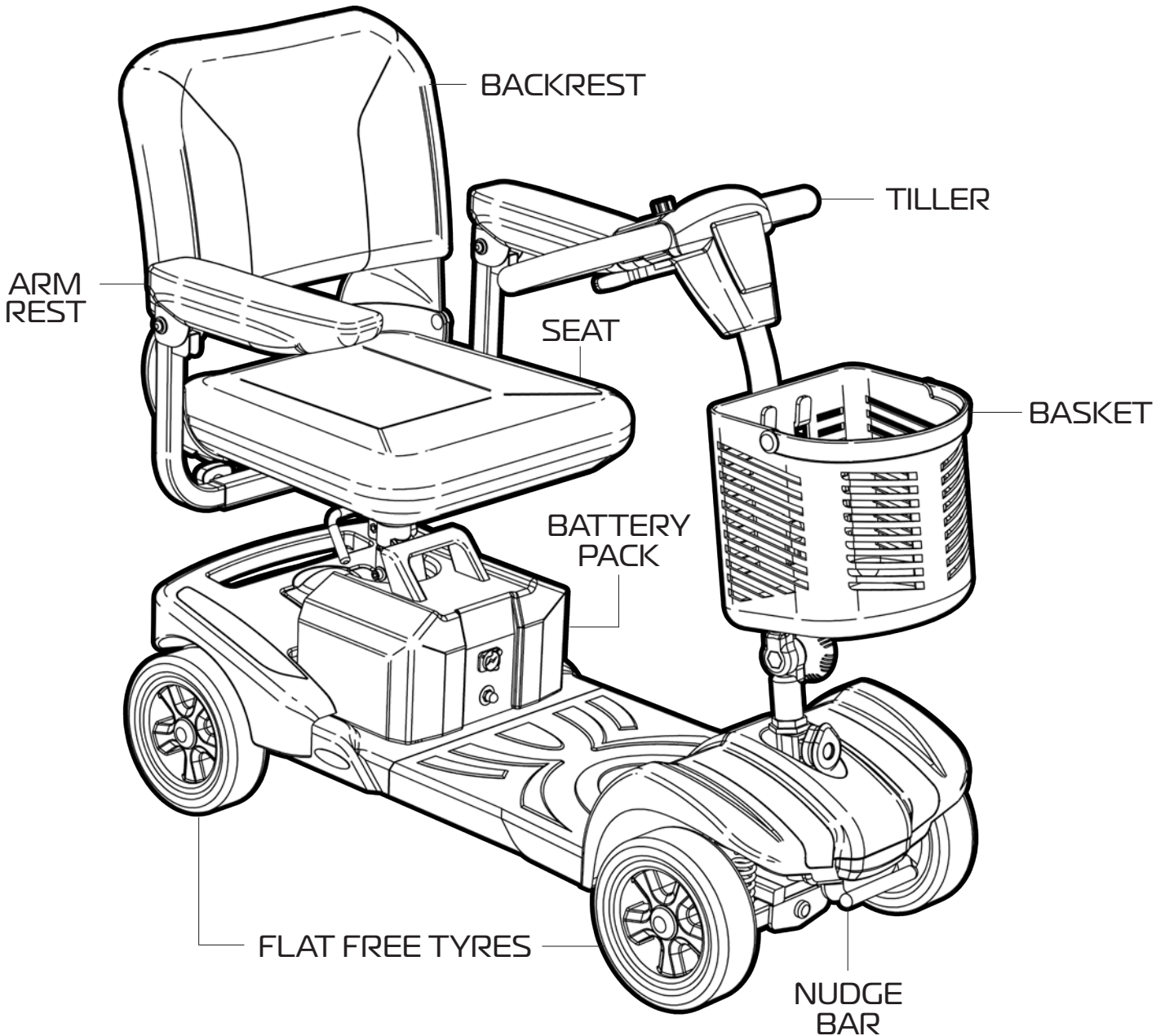
We recommend that you thoroughly inspect all the supplied parts prior to assembling and using the MOVE Portable Mobility Scooter.



Please take care when unpacking the product and removing any protective packing materials. If you see any damage or suspect a fault, **DO NOT USE THE PRODUCT** and contact your supplier for support.

GLOSSARY OF SCOOTER

Please become familiar with the MOVE Portable Mobility Scooter and the terms used when describing certain parts of the product.



IMPORTANT NOTE

If you are ever unsure about any aspect of the MOVE Portable Mobility Scooter please do not issue or use and contact your supplier for support.

9.

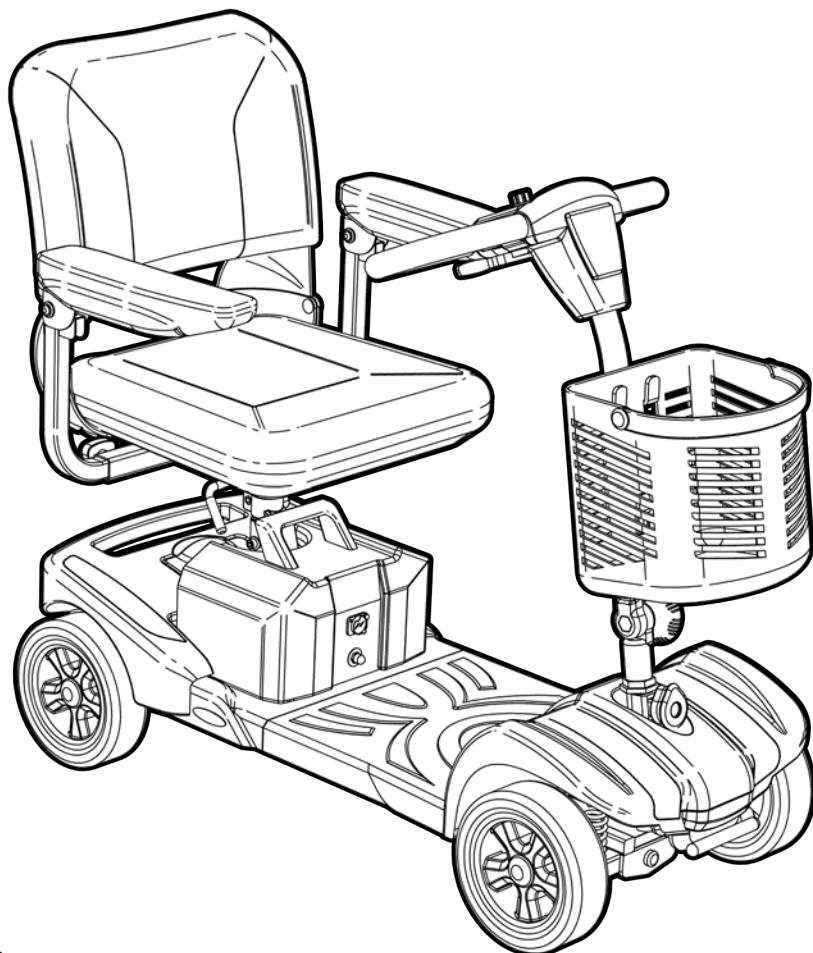
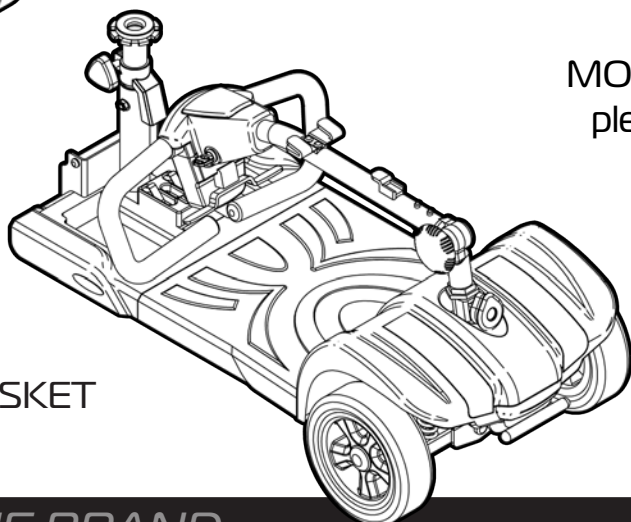
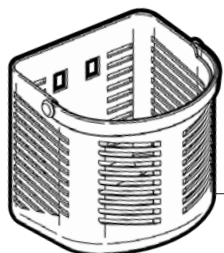
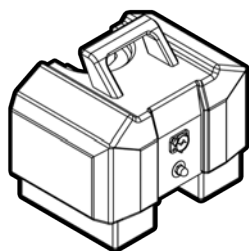
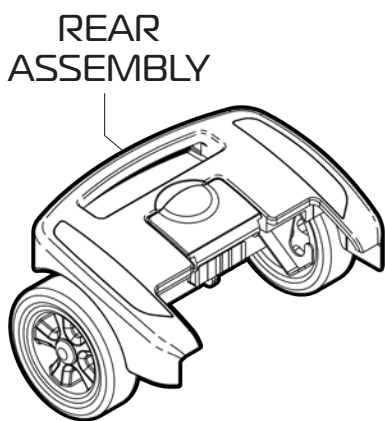
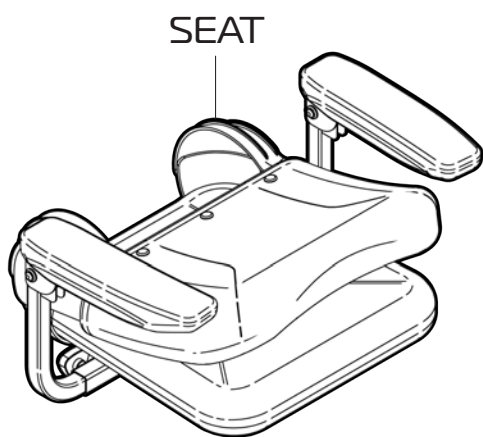
ASK FOR THE BRAND

ikonmobility.com.au

SCOOTER SET UP PRIOR TO USE

Please read through the entire user manual prior to setting up and using the scooter. The user manual has been layed out in a logical order for instruction on how to set up, use, pull apart for transport and care for the MOVE Portable Mobility Scooter. However you may need to revert back to the contents page to locate information on a specific aspect of the scooter.

Please follow these instructions to set up the scooter in the correct order for usage.



IMPORTANT NOTE

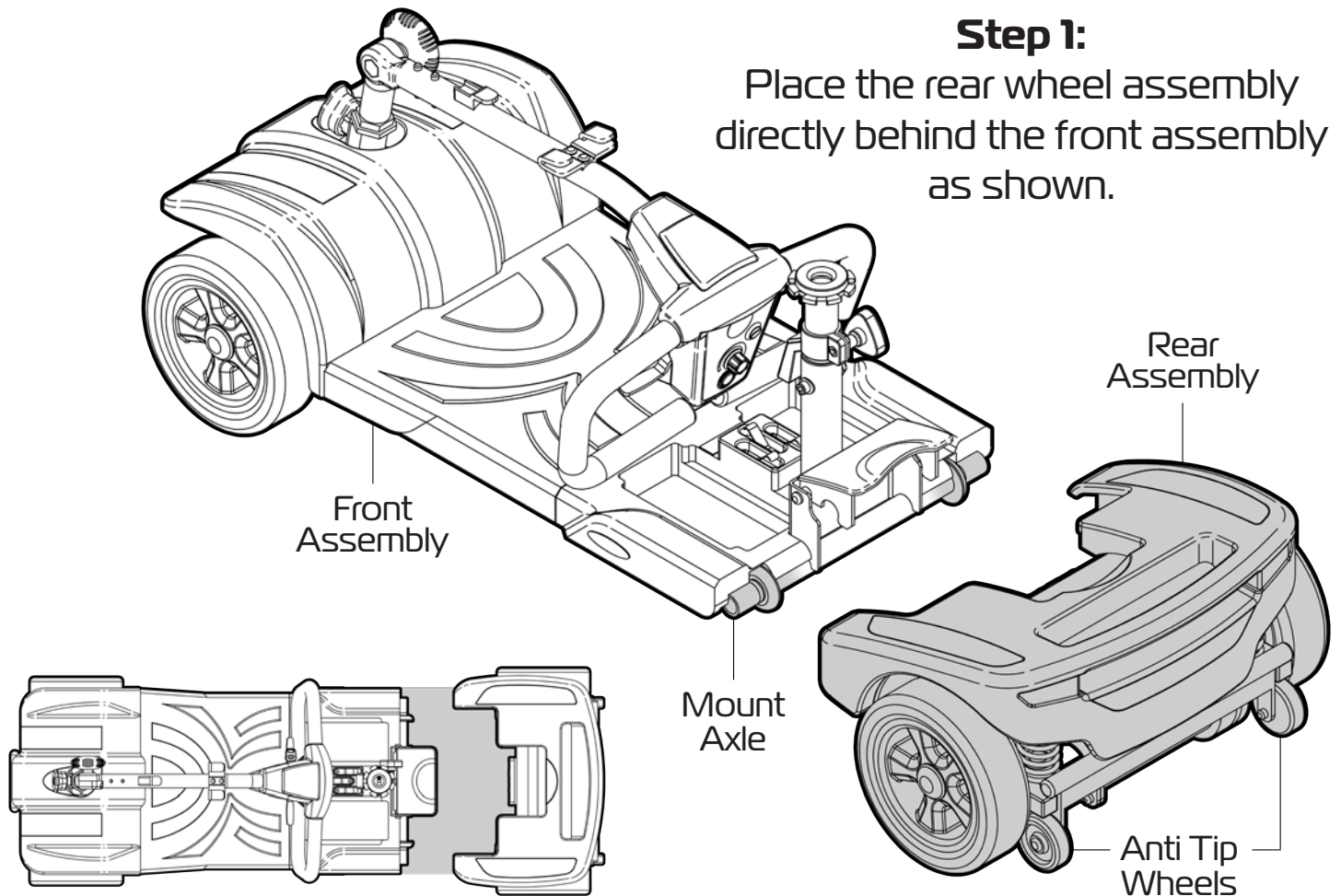
If you are ever unsure about any aspect of the MOVE Portable Mobility Scooter please do not use and contact your supplier for support.

CONNECT BASE

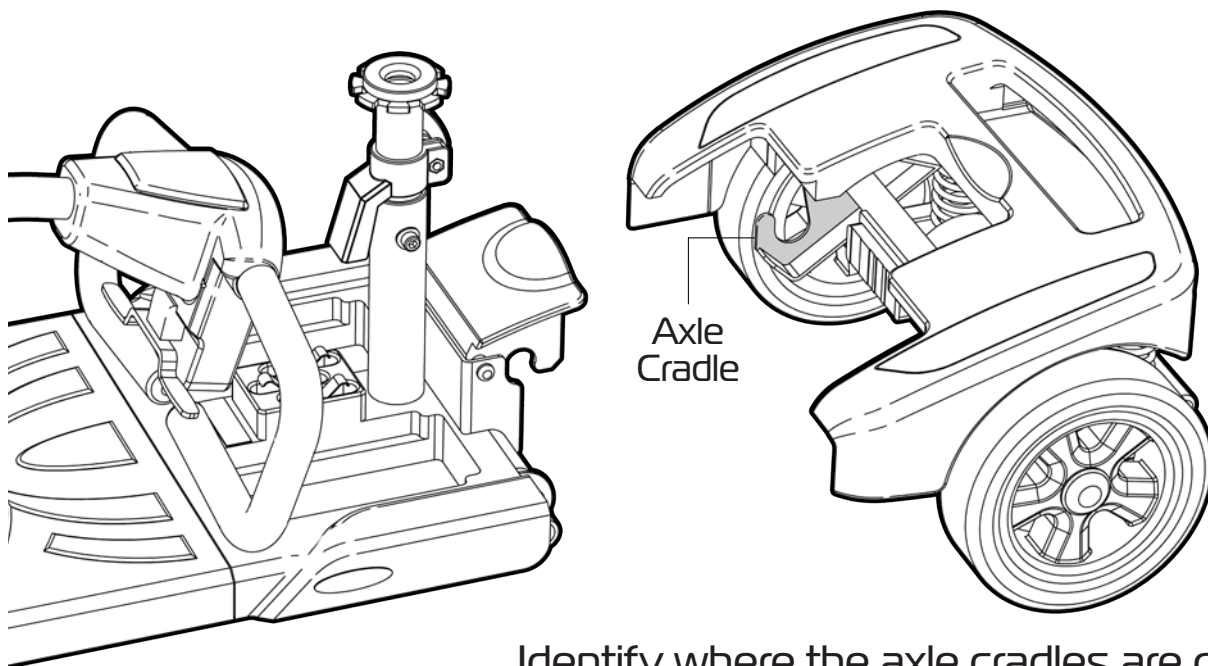
Please follow these instructions to connect the front assembly with the rear assembly:

Step 1:

Place the rear wheel assembly directly behind the front assembly as shown.



Align front and rear assemblies.



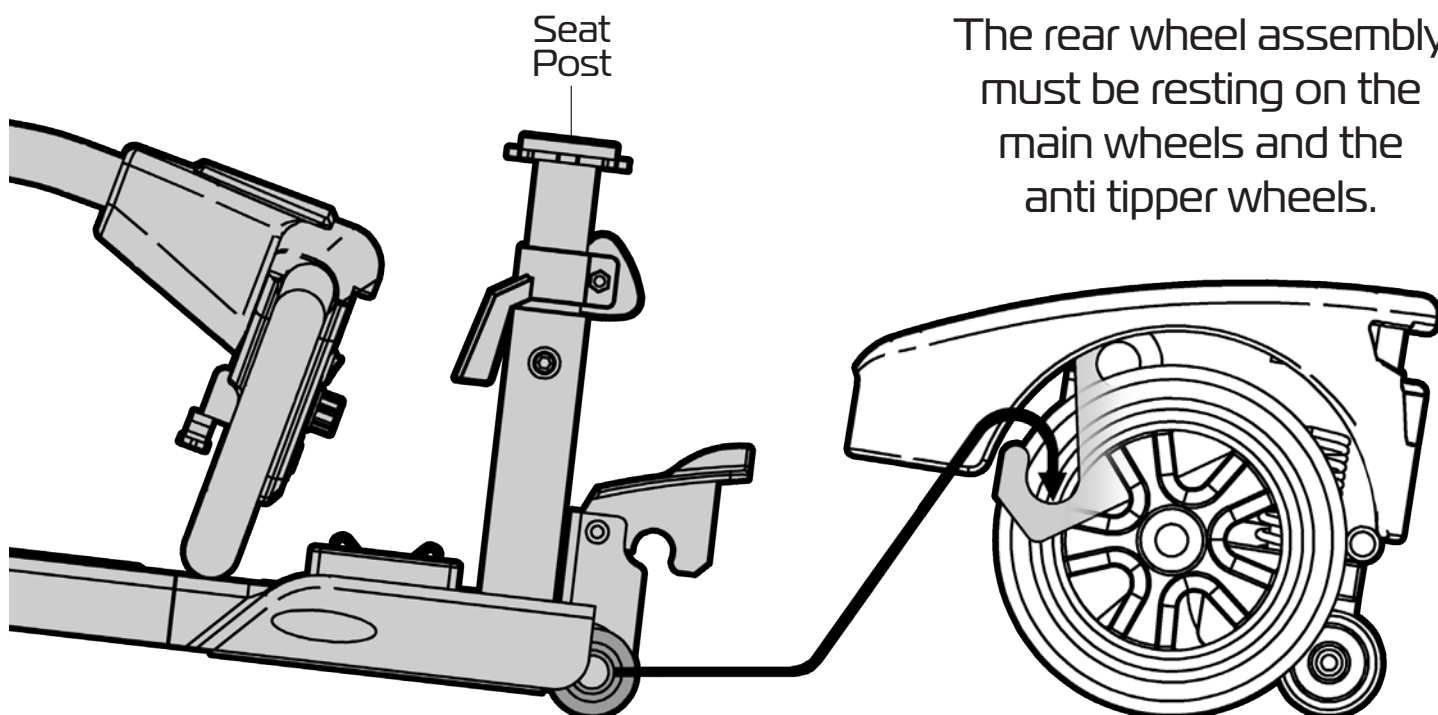
Identify where the axle cradles are on the inside of the rear wheel assembly.

11.

CONNECT BASE (CONTINUED)

NOTE:

The rear wheel assembly must be resting on the main wheels and the anti tipper wheels.

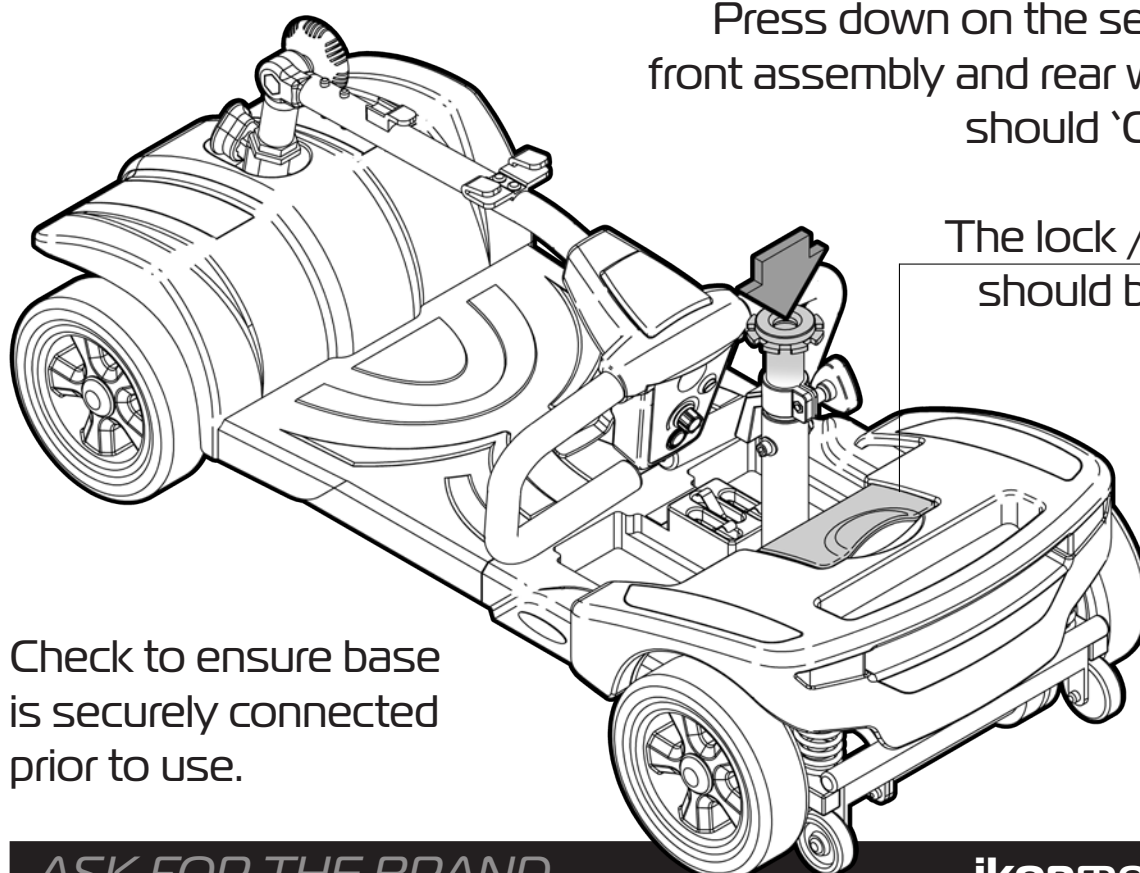


Step 2:

Lift the front assembly up by the top of the seat post. Move the front assembly under the front of the rear wheel assembly and then lift up to locate the mount axle onto the axle cradles on the rear wheel assembly.

Step 3:

Press down on the seat post and the front assembly and rear wheel assembly should 'CLICK' together.



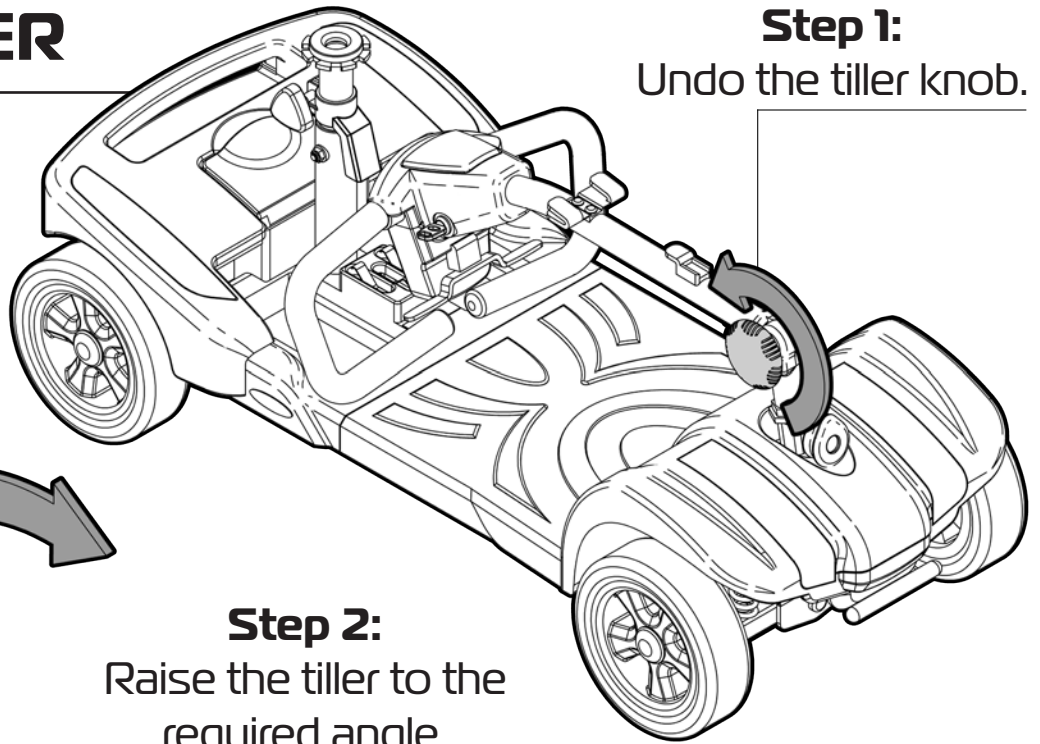
The lock / release handle should be flush with the cover if base is connected properly.

Check to ensure base is securely connected prior to use.

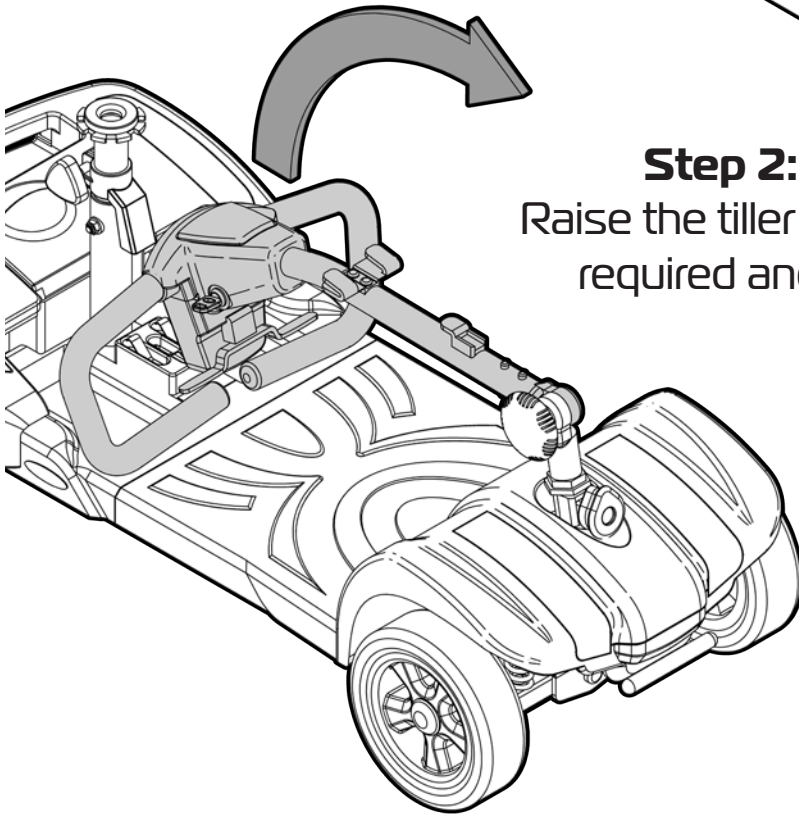
RAISE TILLER

Please follow these instructions to raise the tiller:

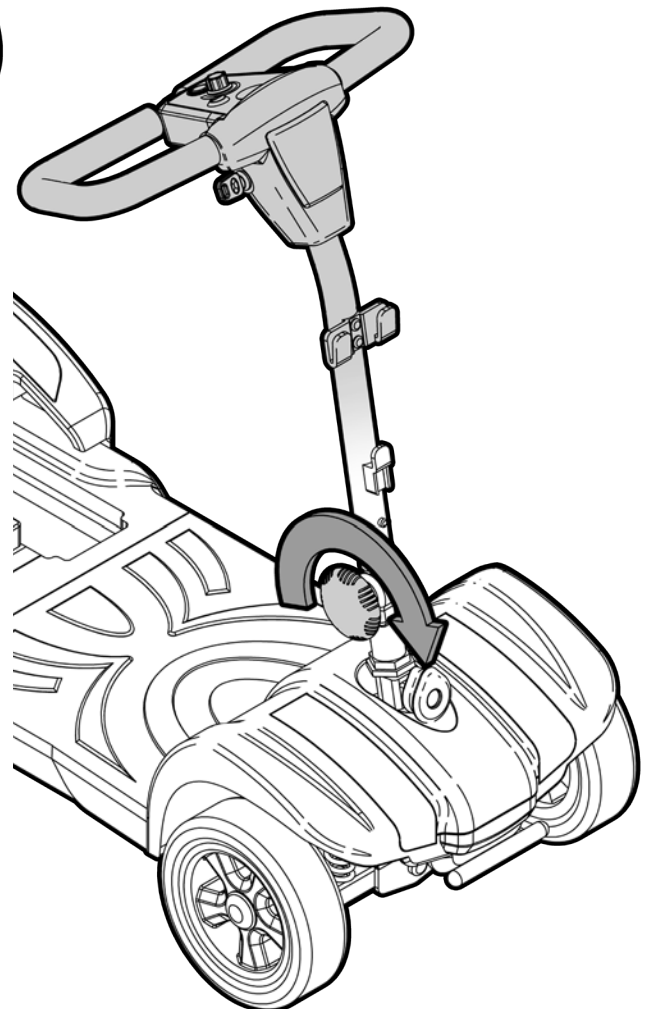
Step 1:
Undo the tiller knob.



Step 2:
Raise the tiller to the required angle.



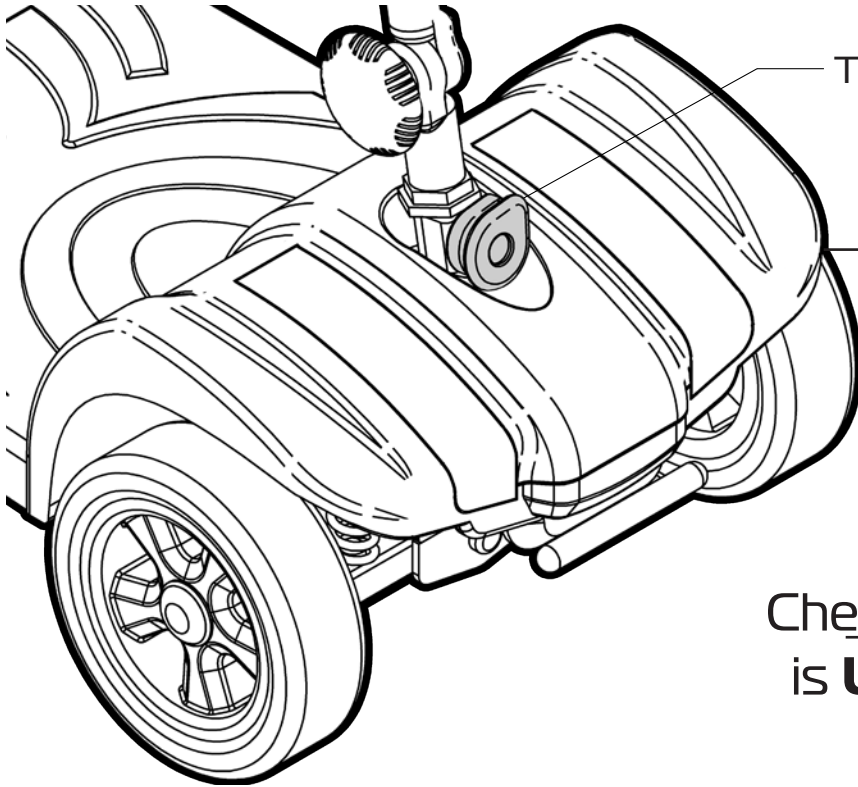
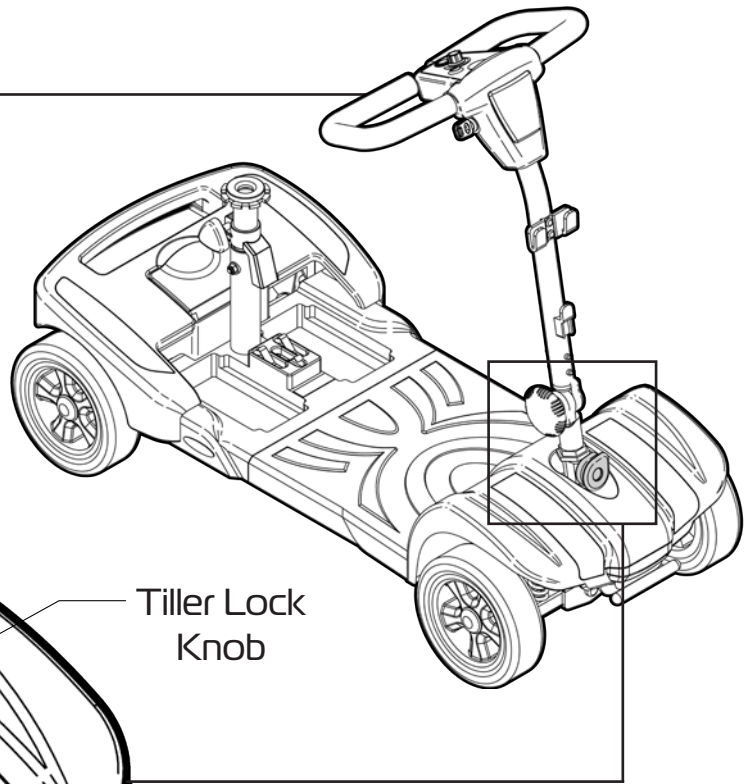
Step 3:
Whilst holding the tiller at the required angle
Tighten the tiller knob until the tiller is firmly held in position.



UNLOCK TILLER

The tiller should be locked in position when the scooter is pulled apart. This stops the tiller from swinging when the front assembly is being moved.

Please follow these instructions to unlock the tiller:



Important Note:
Check to ensure that the tiller is **UNLOCKED** prior to use.



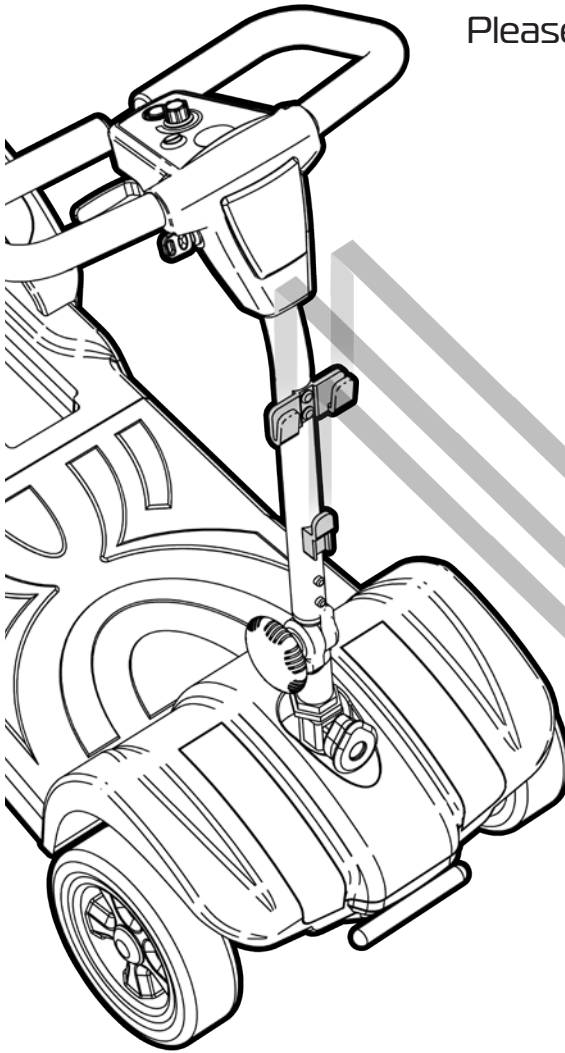
UNLOCK TILLER:
To UNLOCK the tiller
Pull the knob forward
and turn anticlockwise.
(Point on knob to be vertical)



LOCK TILLER:
To LOCK the tiller
Pull the knob forward
and turn clockwise.
(Point on knob to angle right)

FIT BASKET

Please follow these instructions to fit the basket to the tiller:

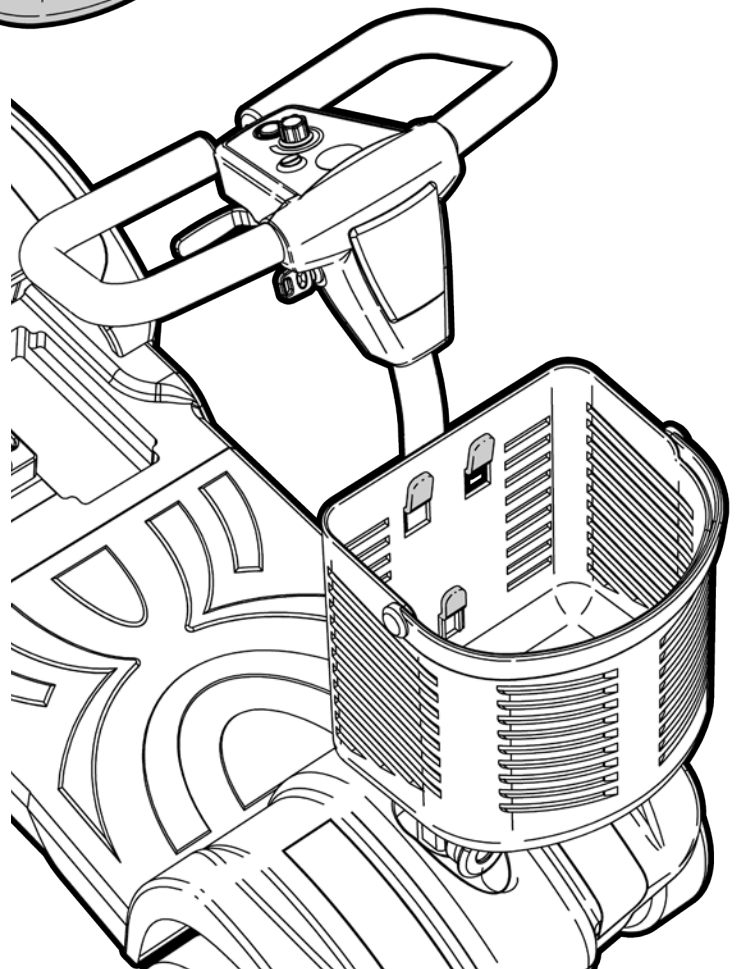
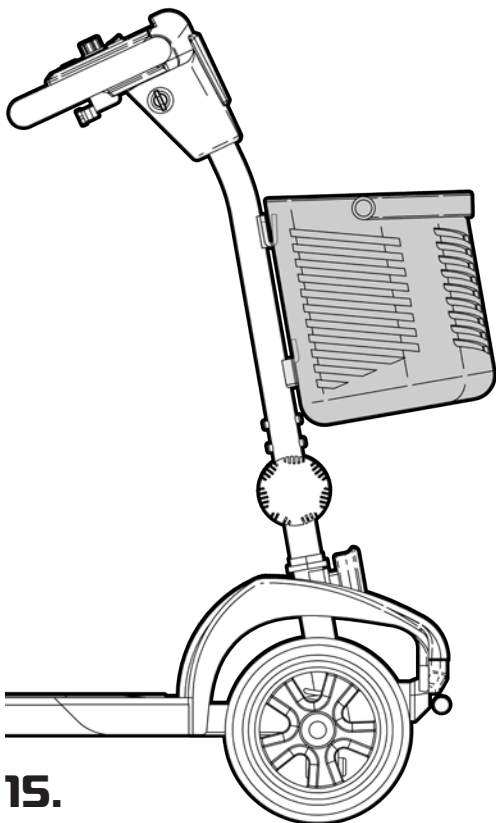
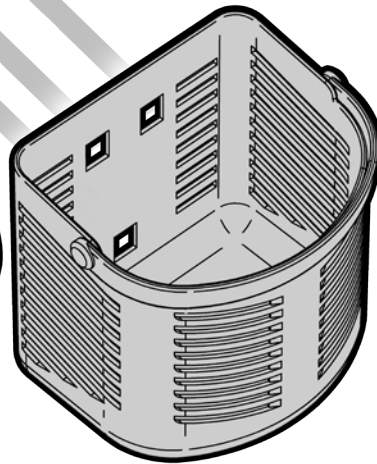


Step 1:

Line up the 3 square holes in the rear of the basket with the mount clips on the tiller.

Step 2:

Push basket down onto top and bottom mount clips at the same time.



15.

ASK FOR THE BRAND

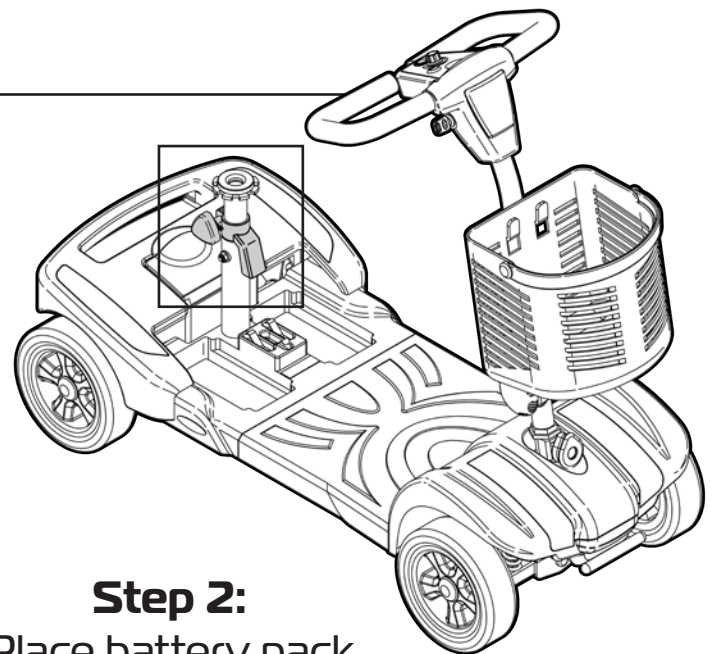
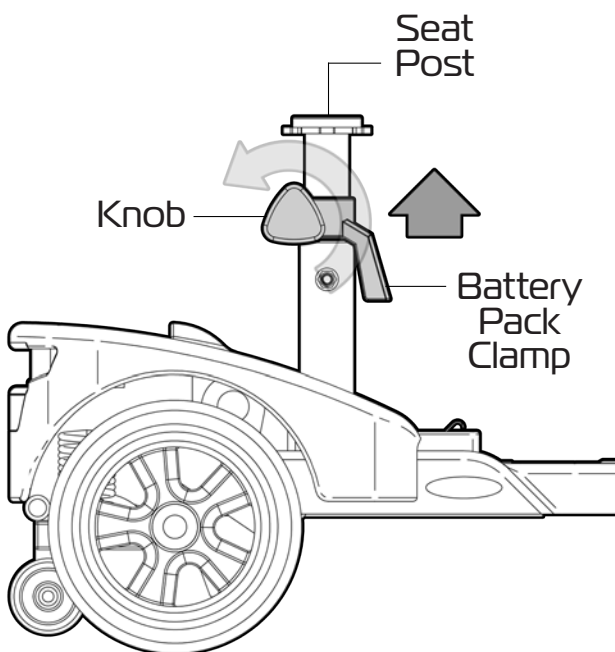
ikonmobility.com.au

FIT BATTERY PACK

Please follow these instructions to fit the battery pack to the scooter:

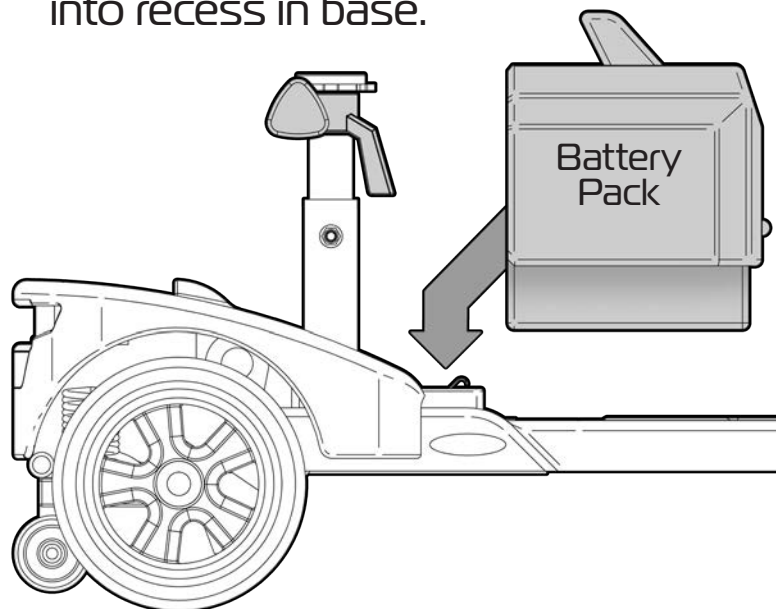
Step 1:

Undo knob and raise up battery pack clamp. Tighten tri wheel until the clamp stays up on the seat post.



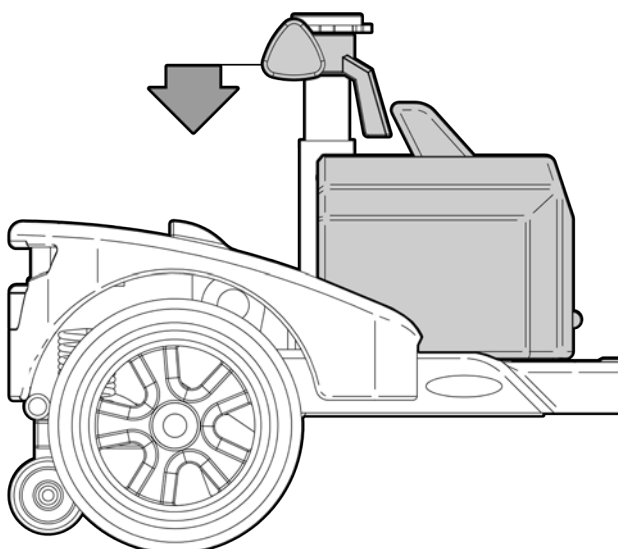
Step 2:

Place battery pack into recess in base.



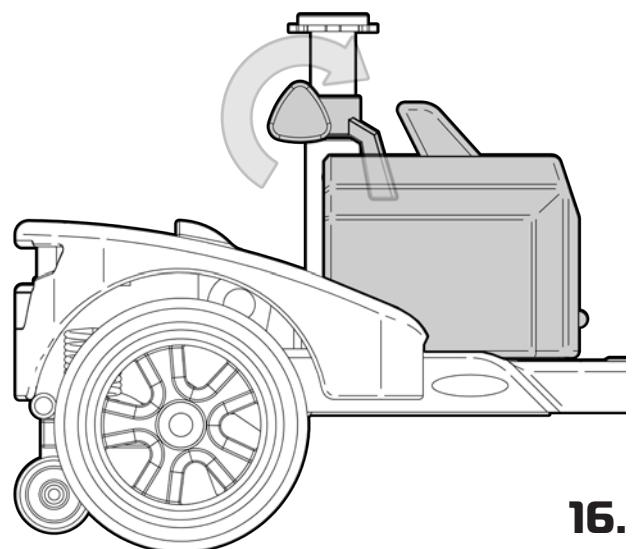
Step 3:

Undo knob and lower the battery pack clamp down onto the battery pack.



Step 4:

Tighten knob to hold battery pack in place on scooter.

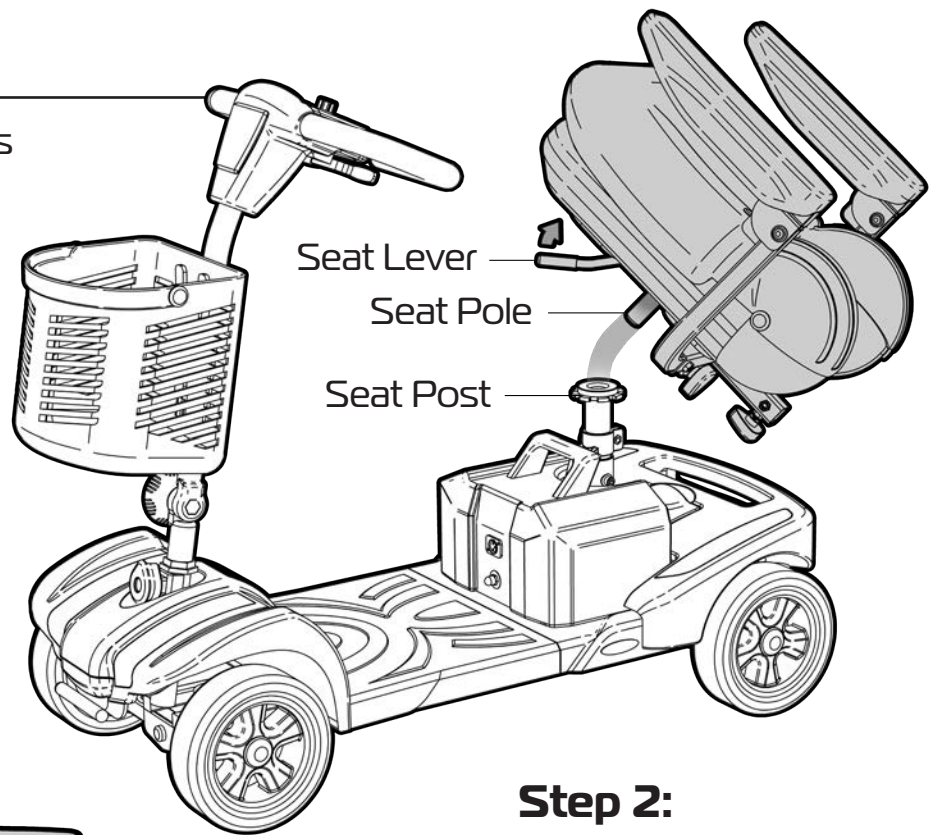


FIT SEAT

Please follow these instructions to fit the seat to the scooter:

Step 1:

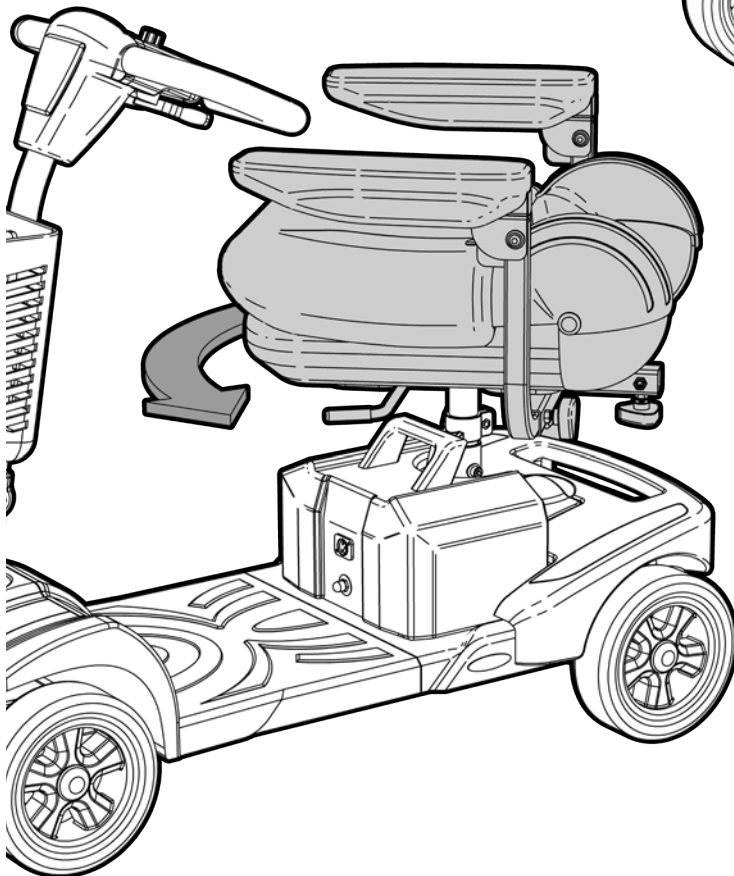
Using the correct lifting technique pull up the seat lever and lift up the seat at the same time .



Step 2:

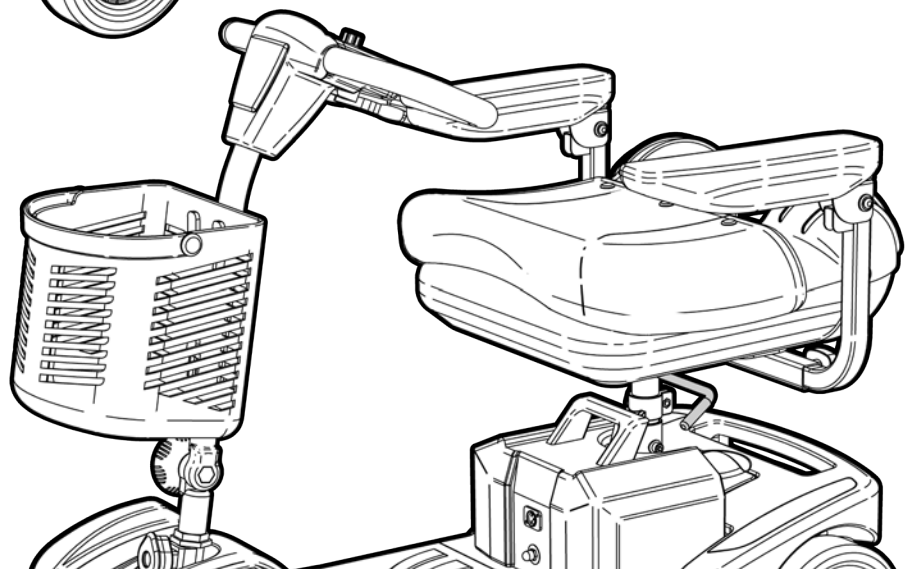
Approach the scooter at an angle and tilt the seat up so you can visually see the seat pole and the seat post.

With the seat lever still pulled up slide the seat pole down into the seat post.



Step 3:

Release the seat lever and rotate the seat around to be inline with the scooter.

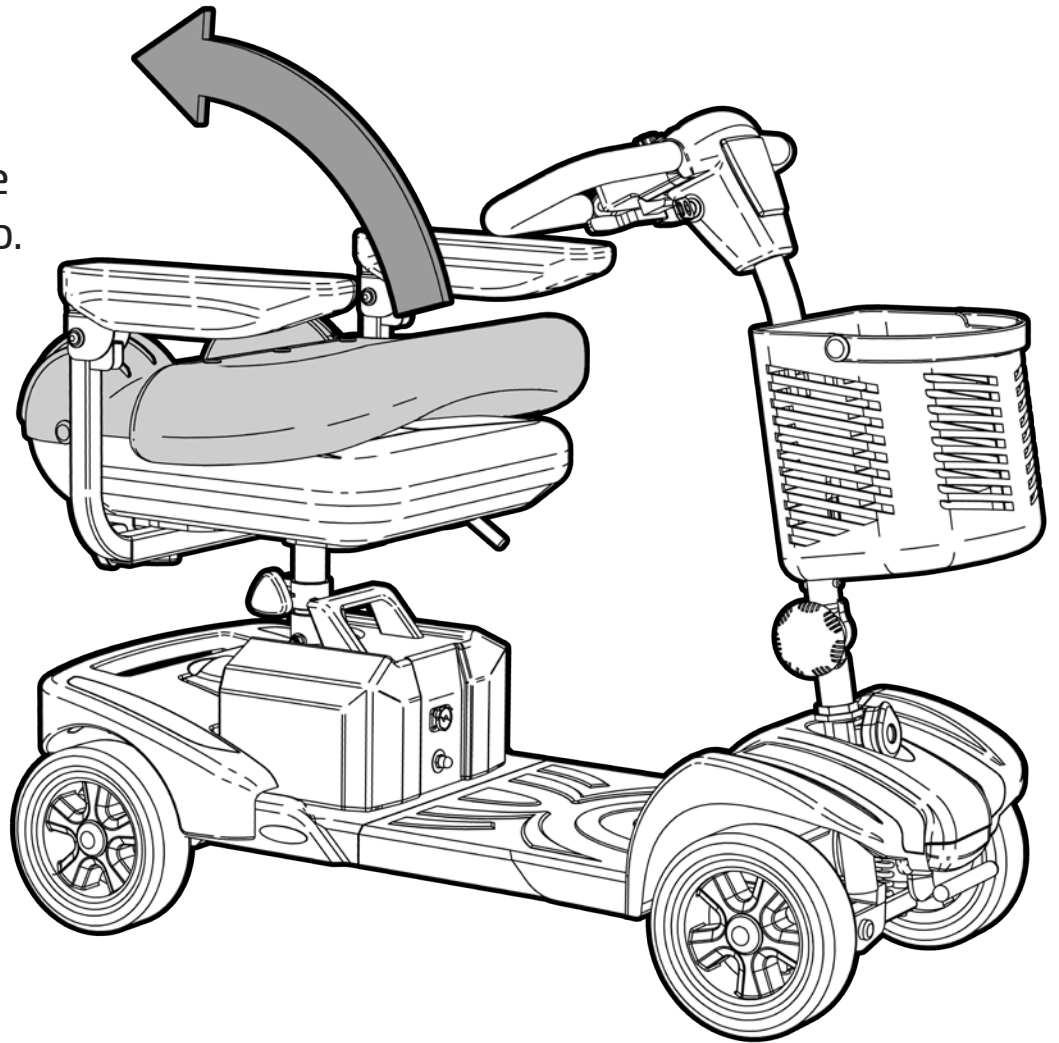


17.

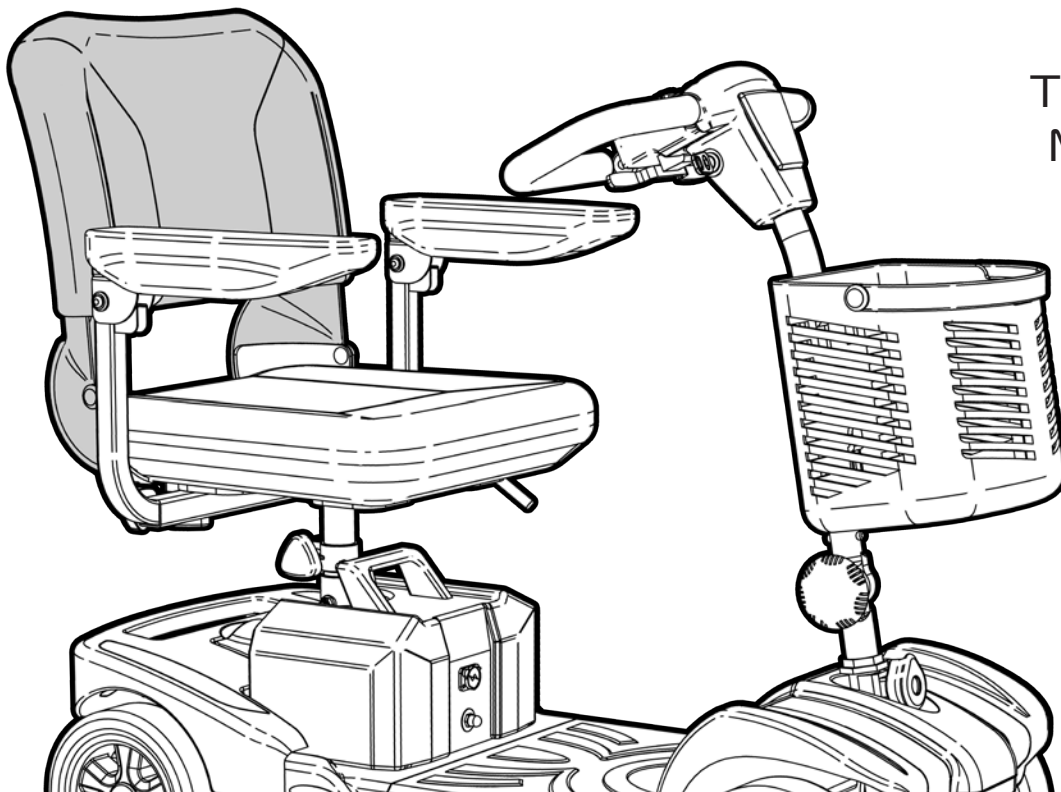
LIFT UP BACKREST

Please follow these instructions to lift up the backrest on the scooter:

Step 1:
Rotate the
backrest up.



Step 2:
Pull the backrest
back until it cannot
go any further.

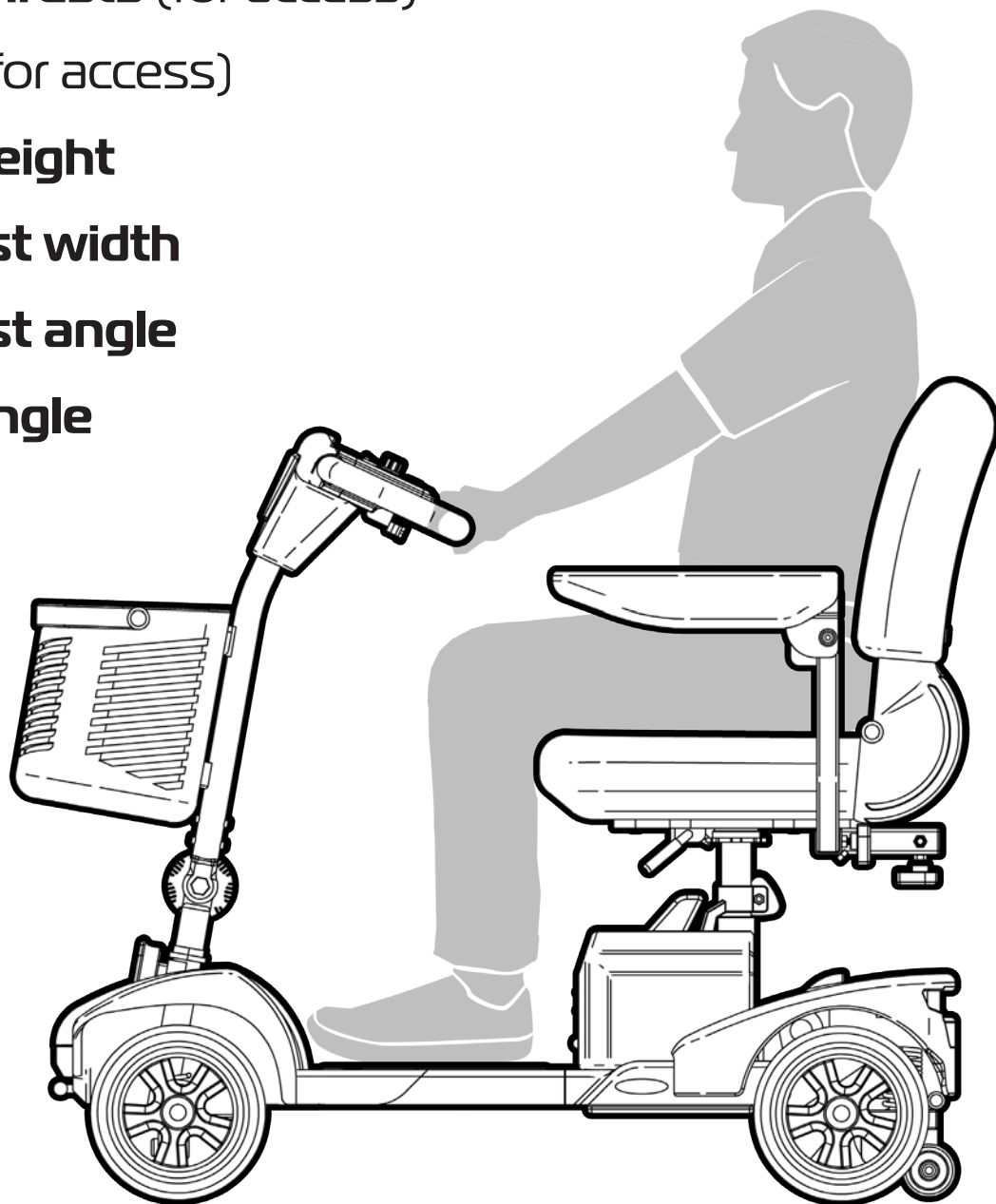


The MOVE Portable
Mobility Scooter is
now assembled.

PREPARING THE SCOOTER FOR USE

It is very important that the MOVE Portable Mobility Scooter is set up to suit the user so they feel comfortable and have full control when operating the scooter. Refer to the following pages for instruction on how to:

- **Rotate up armrests** (for access)
- **Rotate seat** (for access)
- **Adjust seat height**
- **Adjust armrest width**
- **Adjust armrest angle**
- **Adjust tiller angle**



IMPORTANT NOTE

If you are ever unsure about any aspect of setting up the MOVE Portable Mobility Scooter for use please do not use and contact your supplier for support.

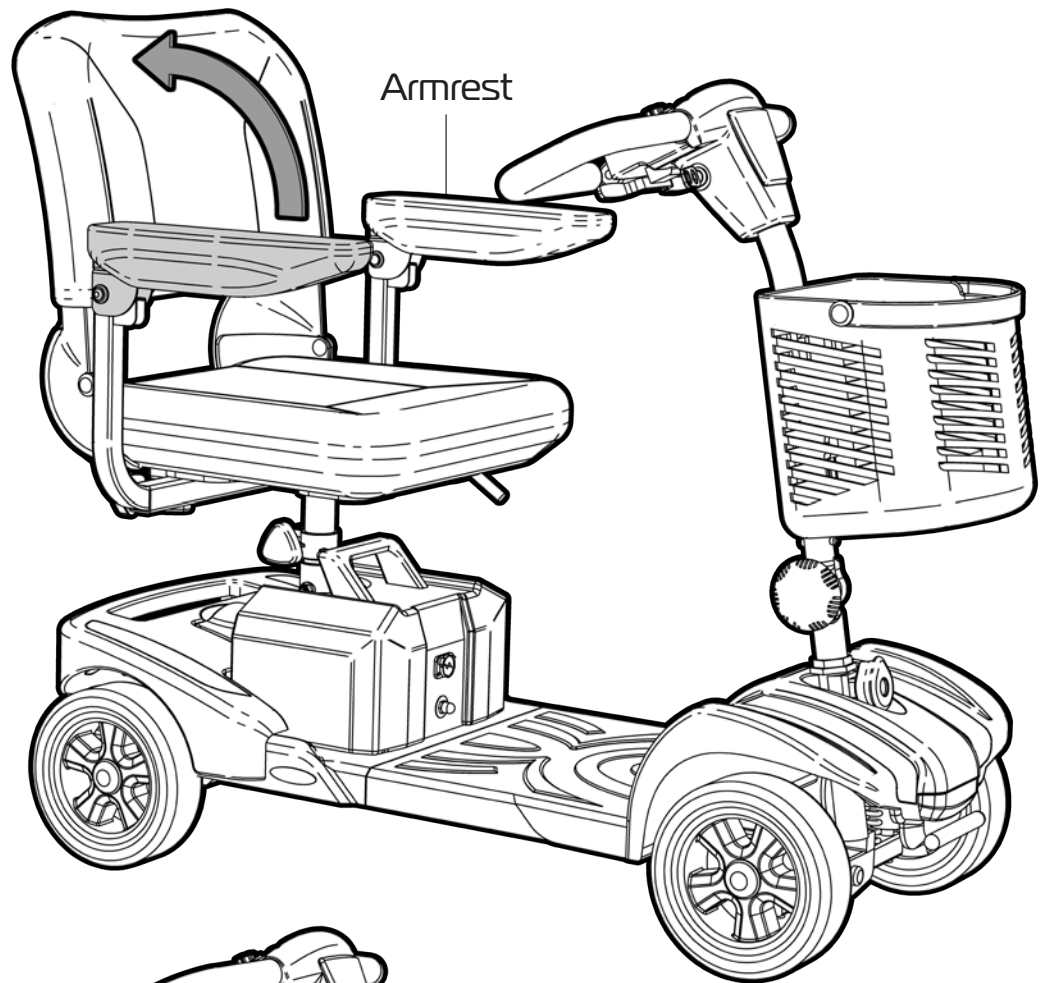
19.

ROTATE UP ARMRESTS

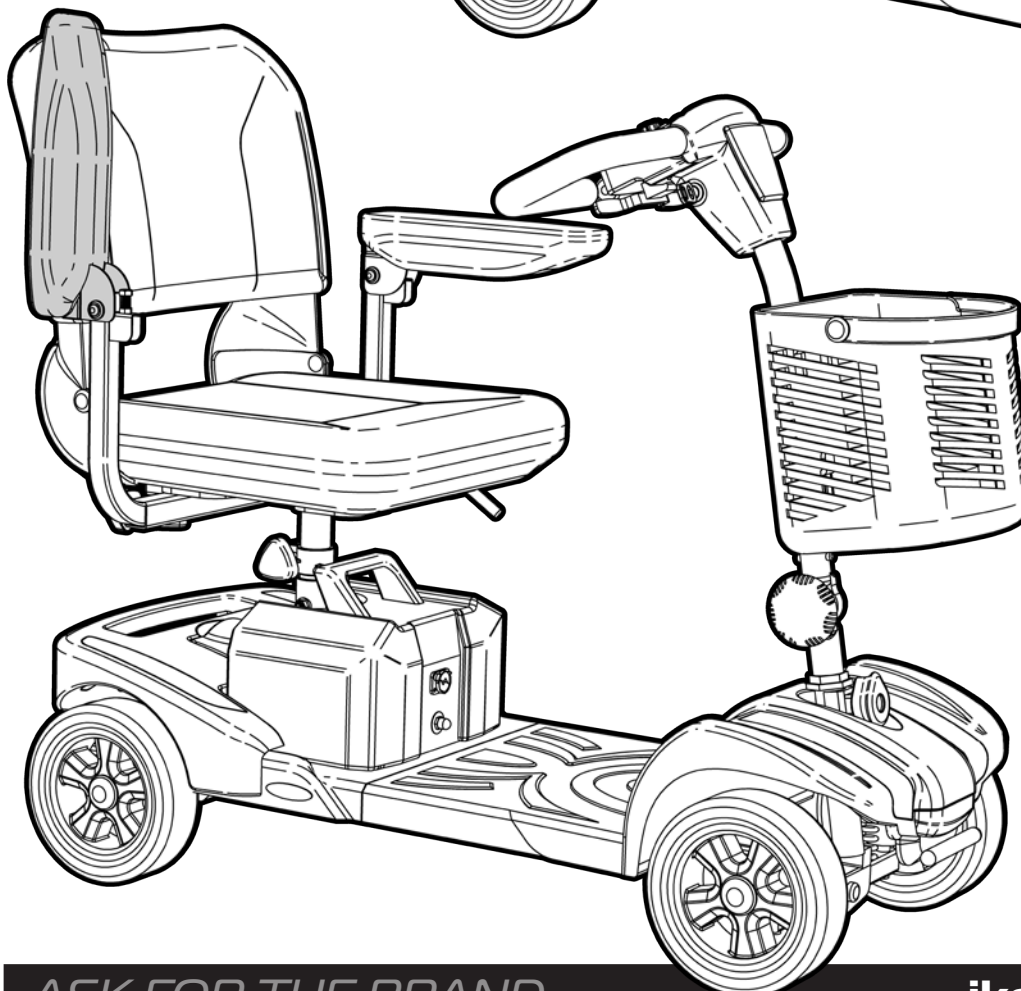
The armrests on the MOVE Portable Mobility Scooter can be rotated up to allow for improved access when going to sit on the scooter.

Please follow these instructions to rotate the armrest on the scooter:

Step 1:
Rotate up the required armrest.



Step 2:
Sit down on the seat and lower the armrest down.



IMPORTANT NOTE

Please keep fingers clear of armrest pivot when lowering as a pinch point does exist.

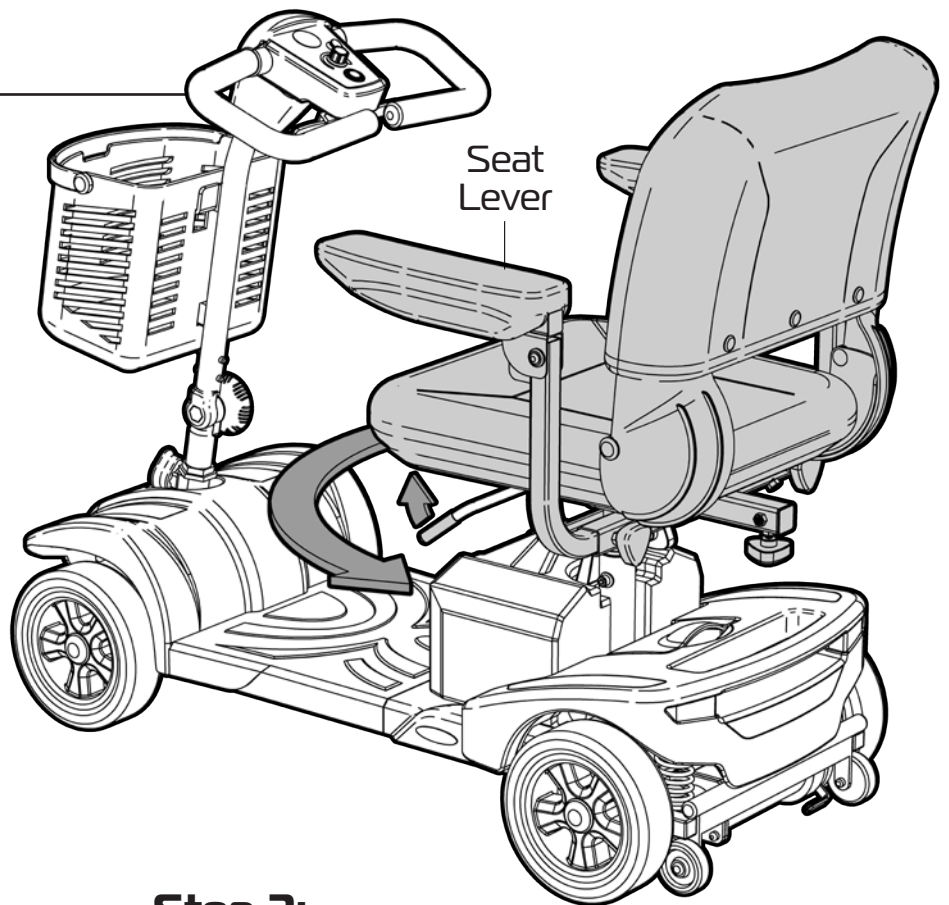
ROTATE SEAT

The seat on the MOVE Portable Mobility Scooter can be rotated around to allow for improved access when going to sit on the scooter.

Please follow these instructions to rotate the seat on the scooter:

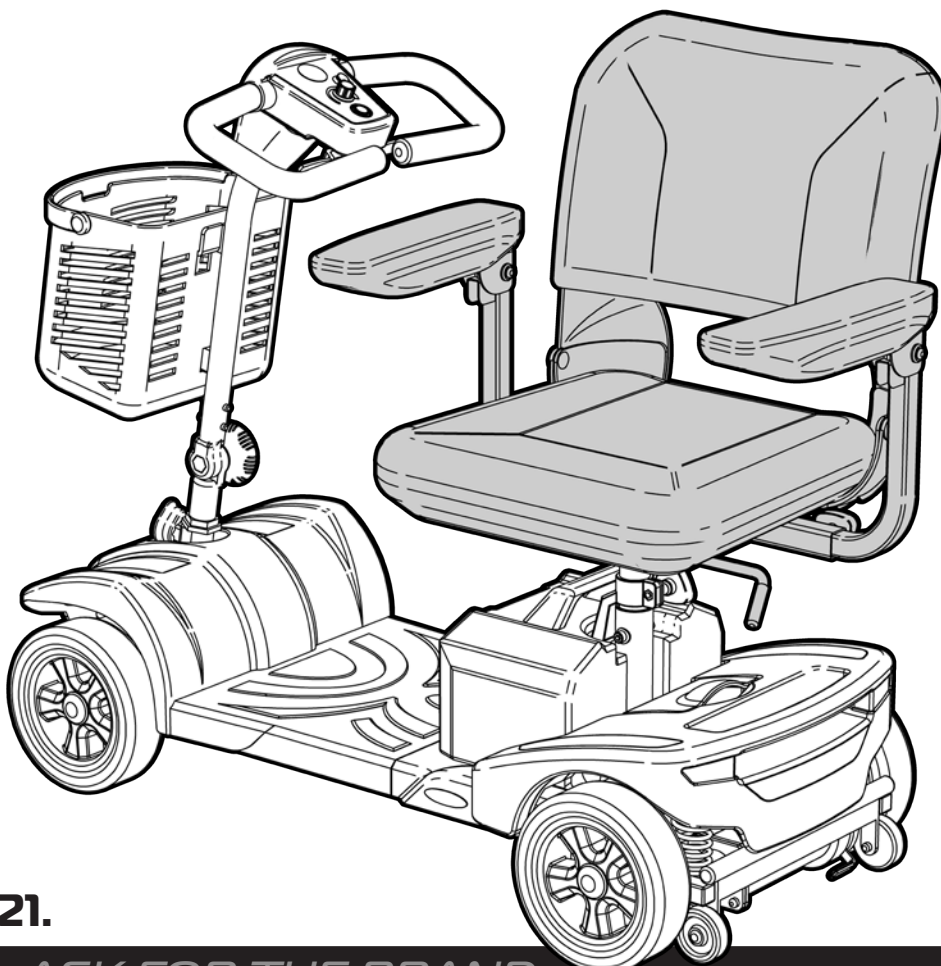
Step 1:

Pull up the seat lever and at the same time begin to rotate the seat in the required direction.



Step 2:

Release the seat lever and continue to rotate seat to the required angle.



Step 3:

Sit down on the seat. Pull up on the seat lever and rotate the seat back to be inline with the scooter.

IMPORTANT NOTE

Ensure the seat is locked into position at the required angle prior to sitting.

ADJUST SEAT HEIGHT

The MOVE Portable Mobility Scooter has three seat height settings. Please follow these instructions to adjust the seat height as required:

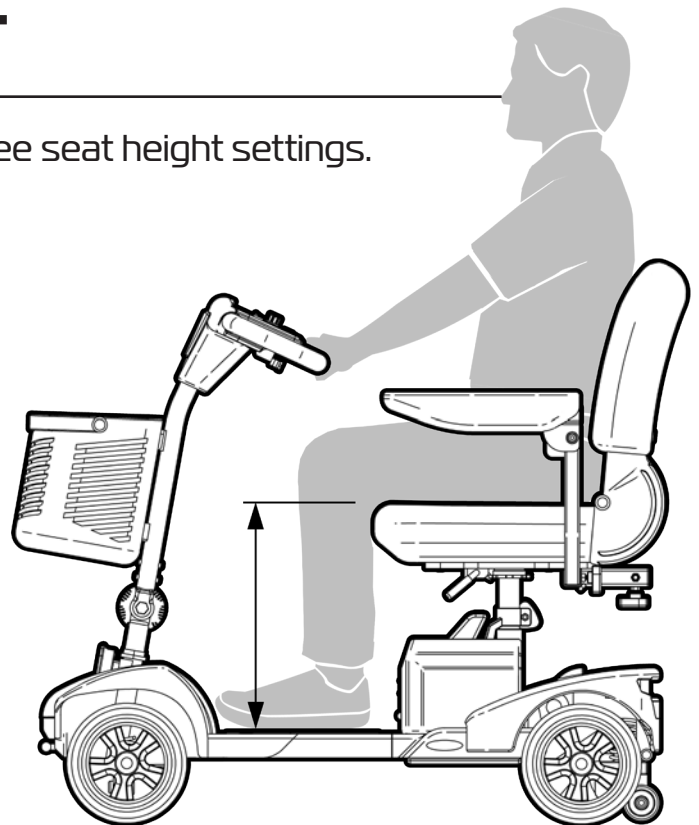
SET UP GUIDELINE

To promote the correct sitting posture - users thighs should be at 90° to the chest.

IMPORTANT NOTE

We recommend that the scooter supplier or an experienced technician makes any required adjustments to the seat height.

Tools required to make the adjustment are not provided.



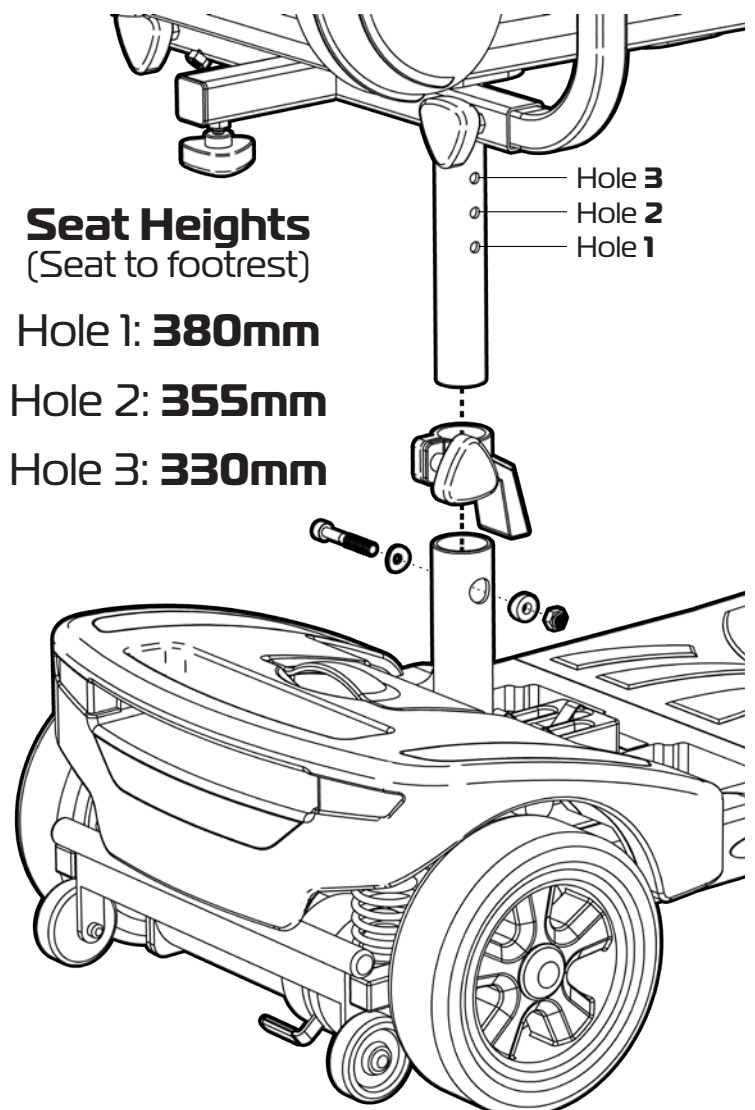
Step 1: Remove the battery pack.
(Refer to page 16 for details)

Step 2: Remove fixing.

Step 3: Determine required height.

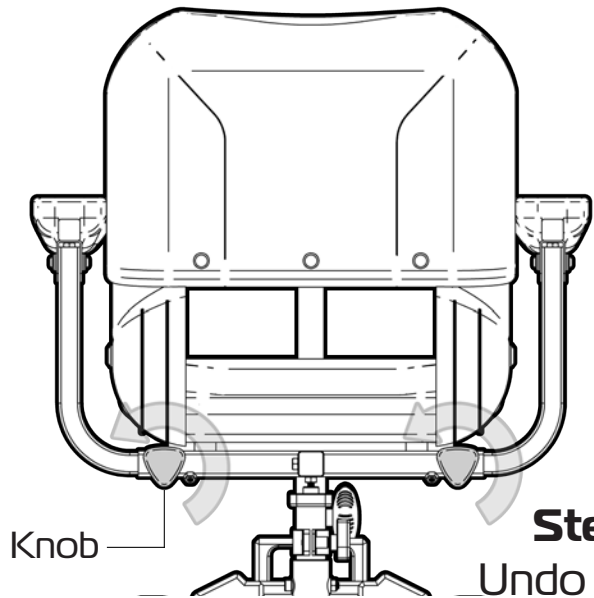
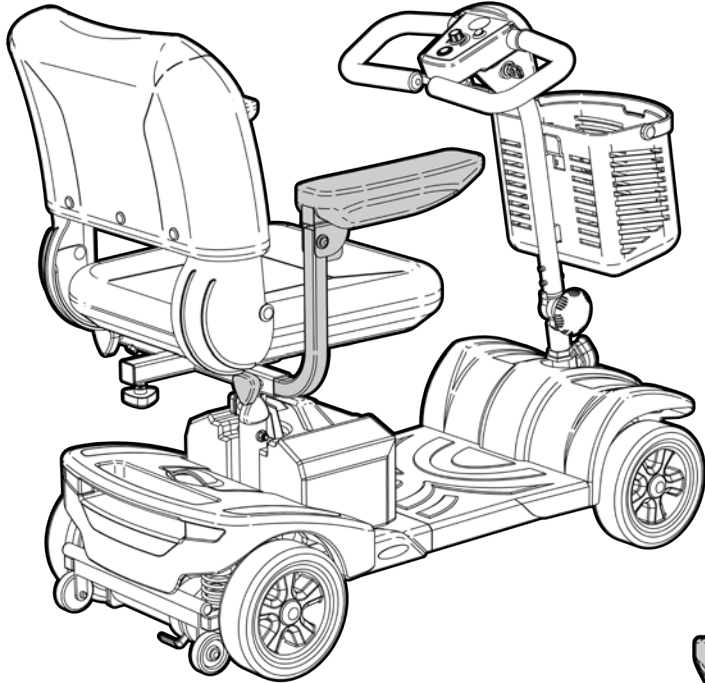
Step 4: Fix in position.

Step 5: Fit the battery pack.

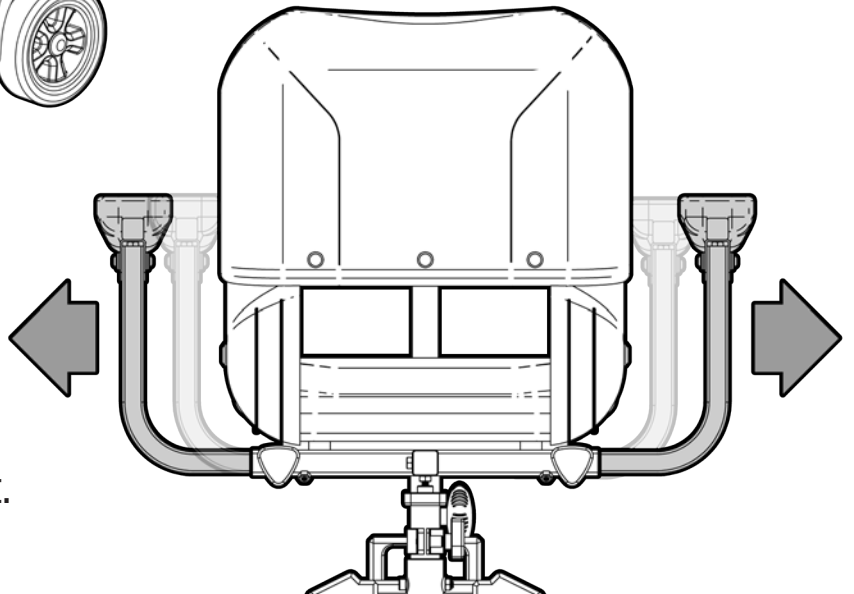


ADJUST ARMREST WIDTH

The MOVE Portable Mobility Scooter has width adjustable armrests. Please follow these instructions to adjust the armrest width as required:

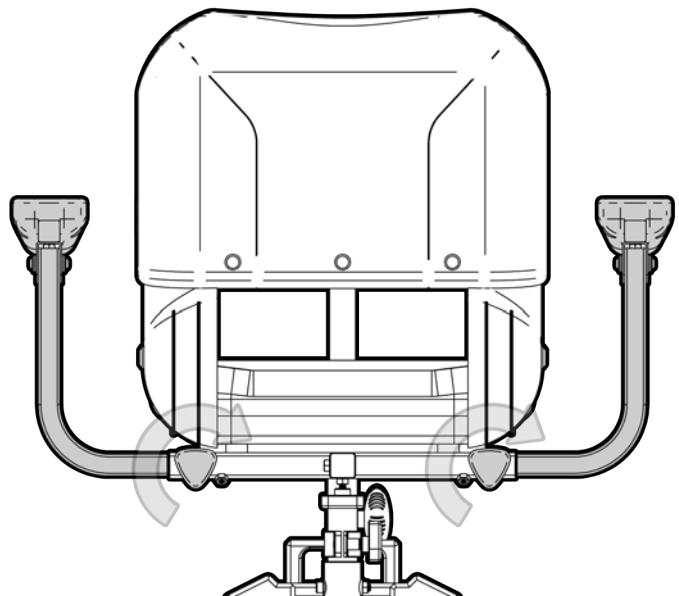


Step 2:
Slide out armrests to the required width setting. Ensure armrest are evenly spaced away from the seat.



Armrest Width
(In between armrests)
MINIMUM: **420mm**
MAXIMUM: **550mm**

Step 3:
Tighten knobs to secure armrests in place.

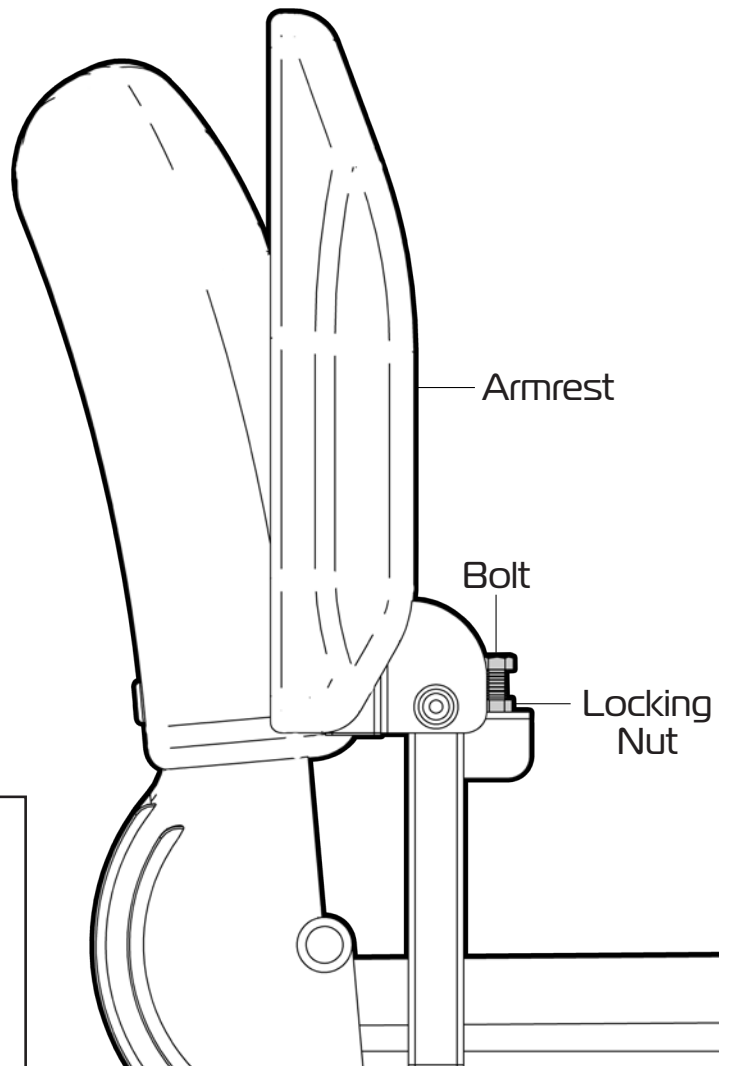
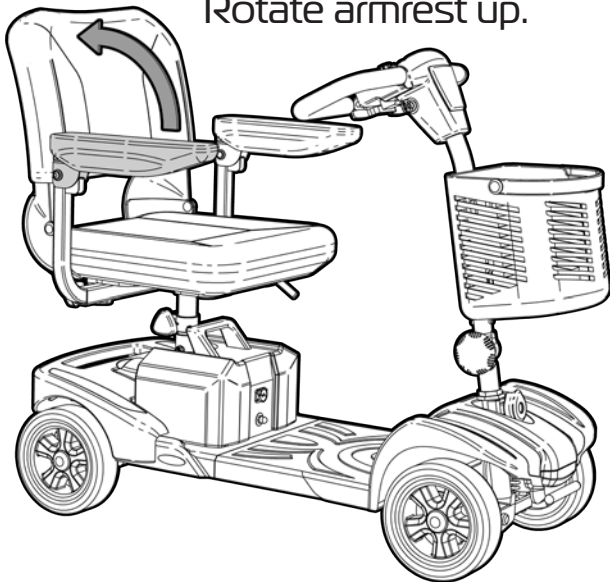


ADJUST ARMREST ANGLE

The MOVE Portable Mobility Scooter has angle adjustable armrests.

Please follow these instructions to adjust the armrest angle as required:

Step 1:
Rotate armrest up.



IMPORTANT NOTE

We recommend that the scooter supplier or an experienced technician makes any required adjustments to the armrest angle.

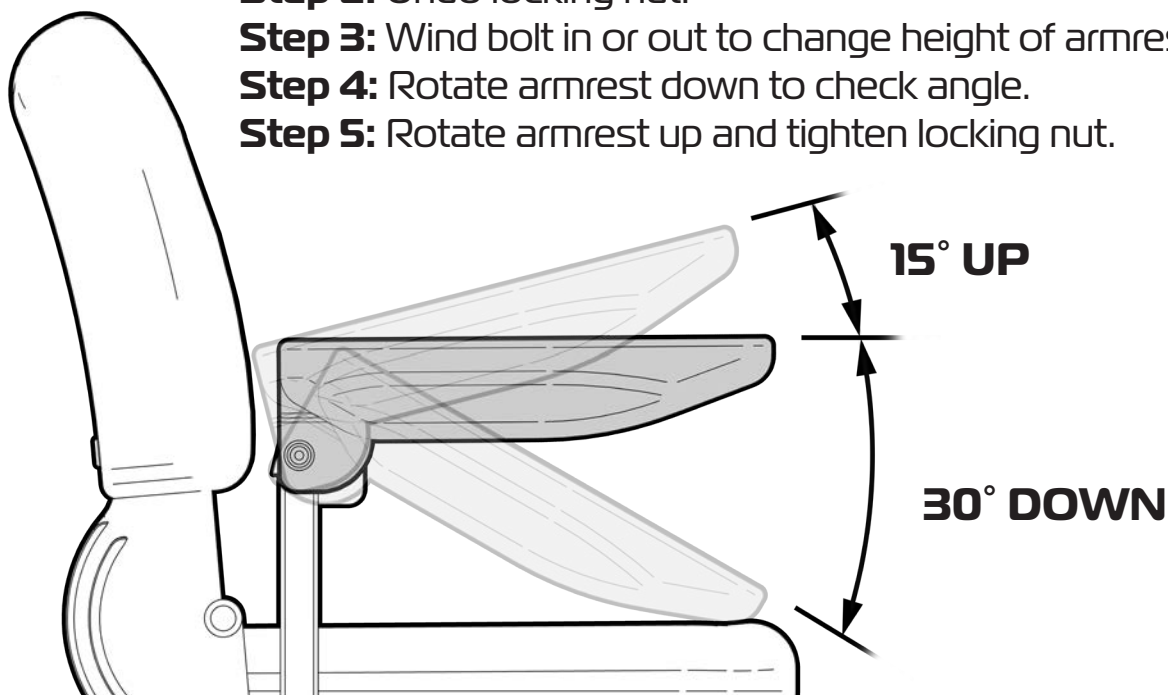
Tools required to make the adjustment are not provided.

Step 2: Undo locking nut.

Step 3: Wind bolt in or out to change height of armrest angle stop.

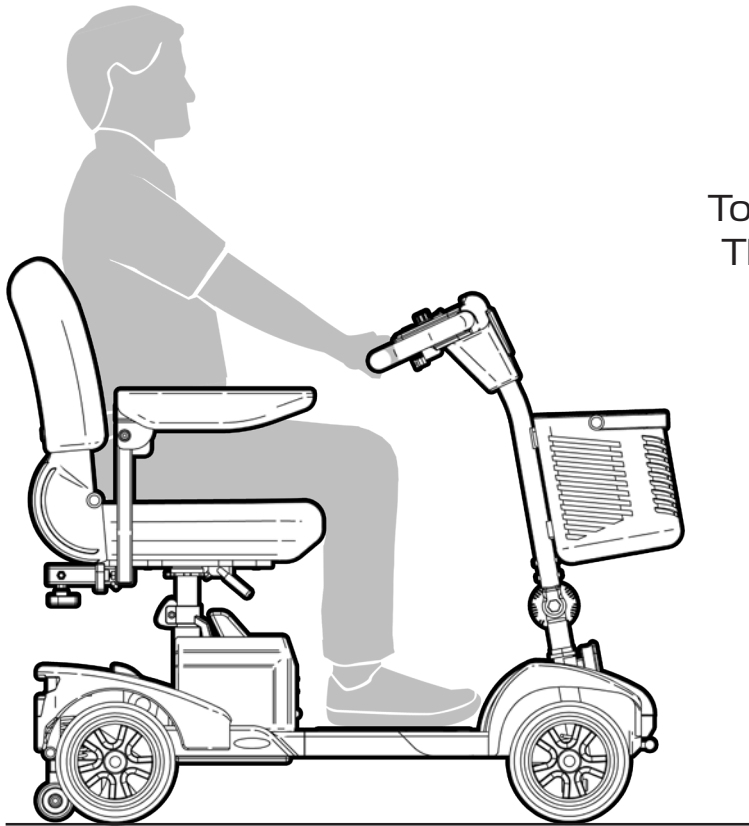
Step 4: Rotate armrest down to check angle.

Step 5: Rotate armrest up and tighten locking nut.



ADJUST TILLER ANGLE

The MOVE Portable Mobility Scooter has an angle adjustable tiller.
Please follow these instructions to adjust the armrest width as required:

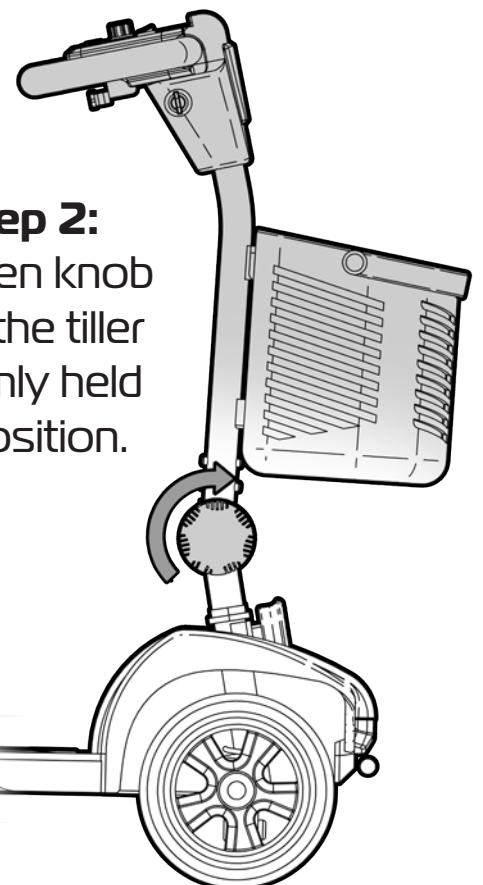
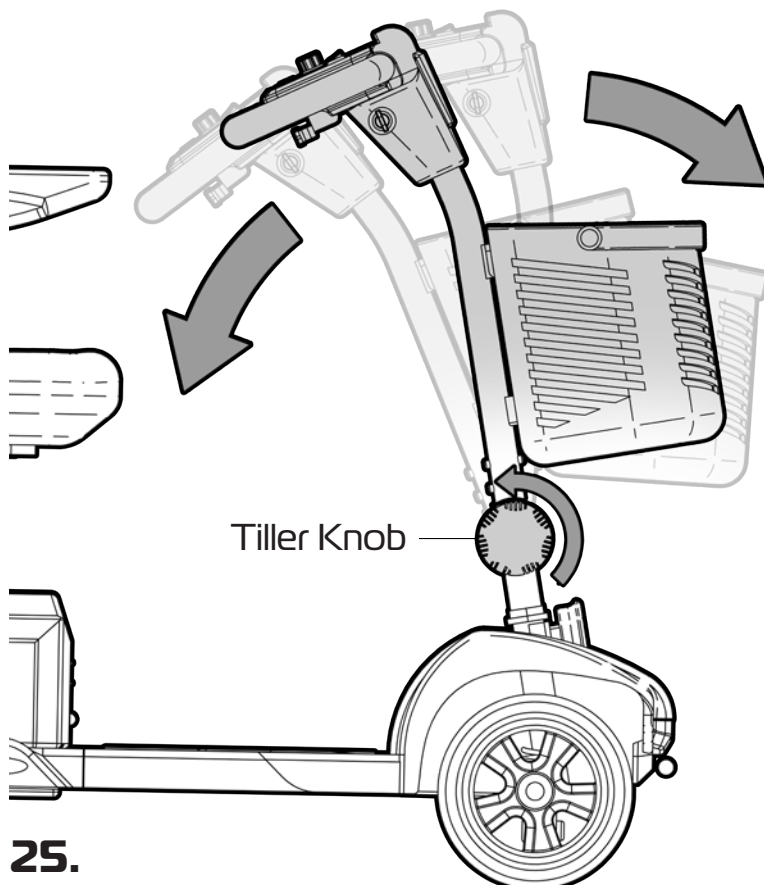


SET UP GUIDELINE

To promote the correct sitting posture:
The tiller should be within easy reach
when the users back is leaning
on the backrest.

Step 1:

Whilst holding onto the tiller
Undo the tiller knob and adjust
the tiller to the required angle.



25.

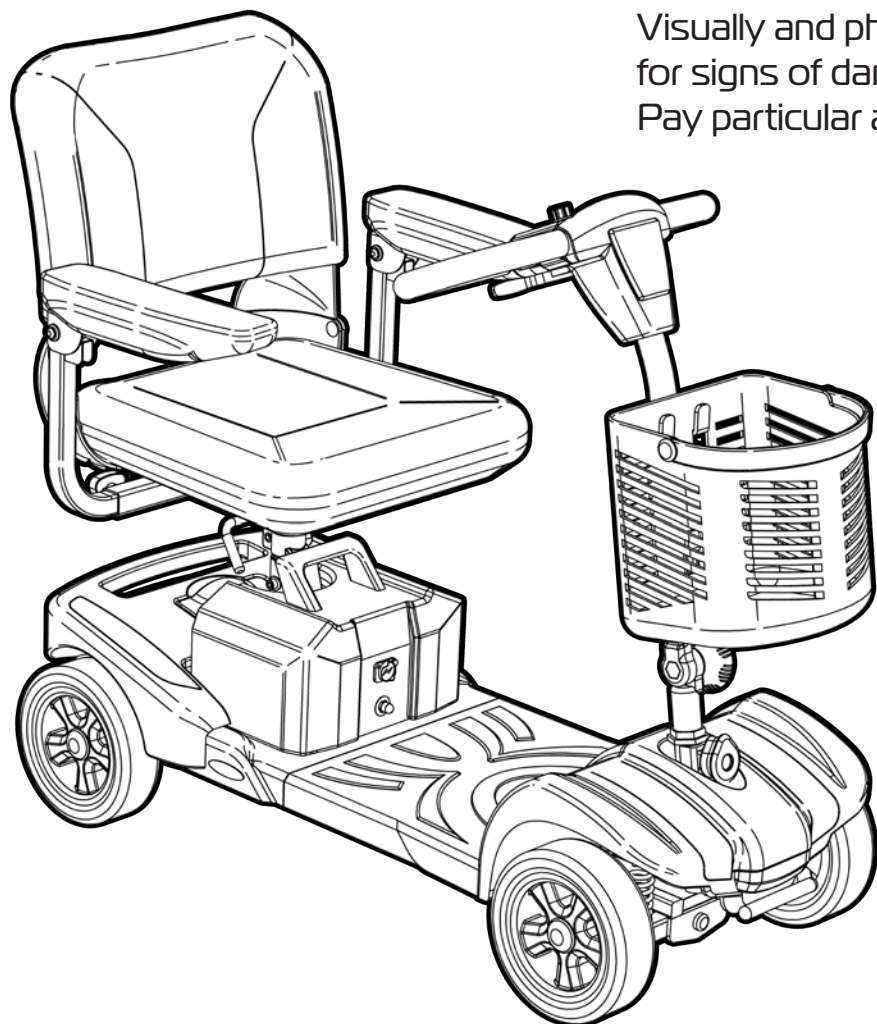
INSPECT THE SCOOTER PRIOR TO USE

Before using the MOVE Portable Mobility Scooter please perform the following tasks:

INSPECT THE SCOOTER

Visually and physically look over the scooter for signs of damage or wear prior to use.

Pay particular attention to the following areas:



- Tyres
- Seat
- Backrest
- Tiller
- Display
- Handgrips
- Speed paddle
- Other aspects....

Check to ensure all parts have been set up correctly and are securely in place prior to use.



IMPORTANT NOTE

If you suspect damage or any fault **DO NOT USE** the scooter! and contact your supplier for service support.

IMPORTANT NOTE!

Prior to using the MOVE Portable Mobility Scooter **FOR THE FIRST TIME** you must **FULLY CHARGE** the battery.

It is very important to ensure that the battery has enough charge to perform the required journey. Setting off with a depleted battery may see you being stranded! Refer to the following pages for information on charging the battery.

CHARGING BATTERY PACK

The MOVE Portable Mobility Scooter is supplied with rechargeable maintenance free hybrid gel batteries which MUST BE charged using the supplied battery charger.

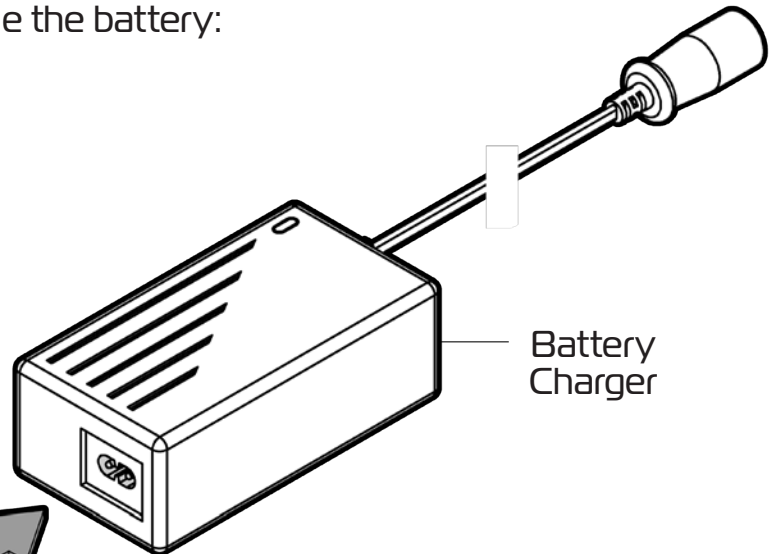


WARNING!

**FAILURE TO USE CORRECT AND SPECIFIED CHARGER
MAY RESULT IN DEATH, DAMAGE OR CANCELLATION
OF WARRANTY AND STATUTORY PROTECTIONS.**

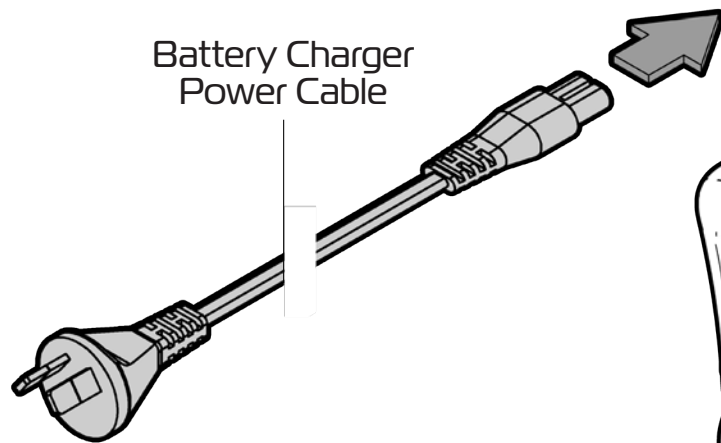
Please follow these instructions to charge the battery:

Step 1:
Plug the
battery charger
power cable
into the charger.

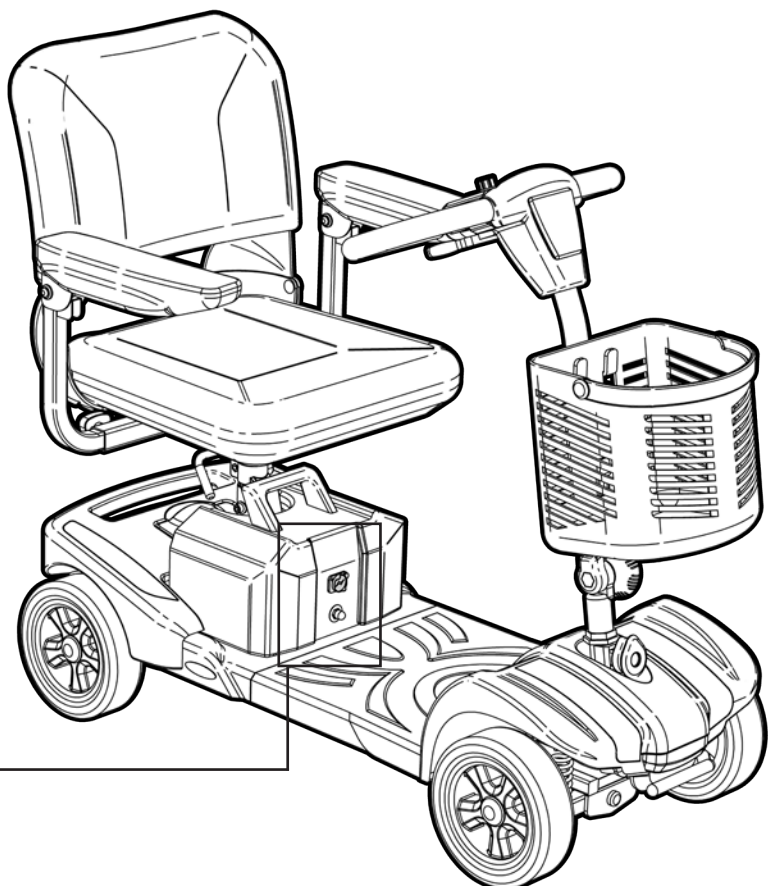


Battery
Charger

Battery Charger
Power Cable

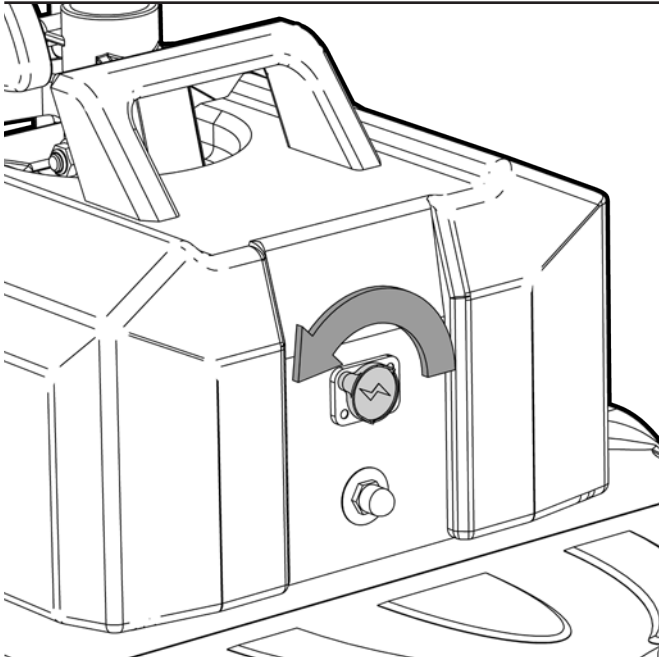


Identify where the
charging socket is
located on the front face
of the battery pack.

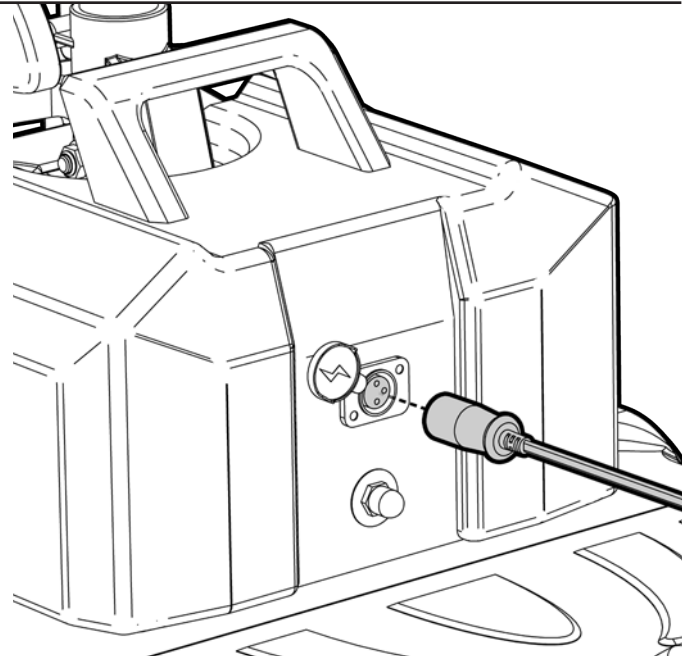


27.

CHARGING BATTERY PACK (CONTINUED)



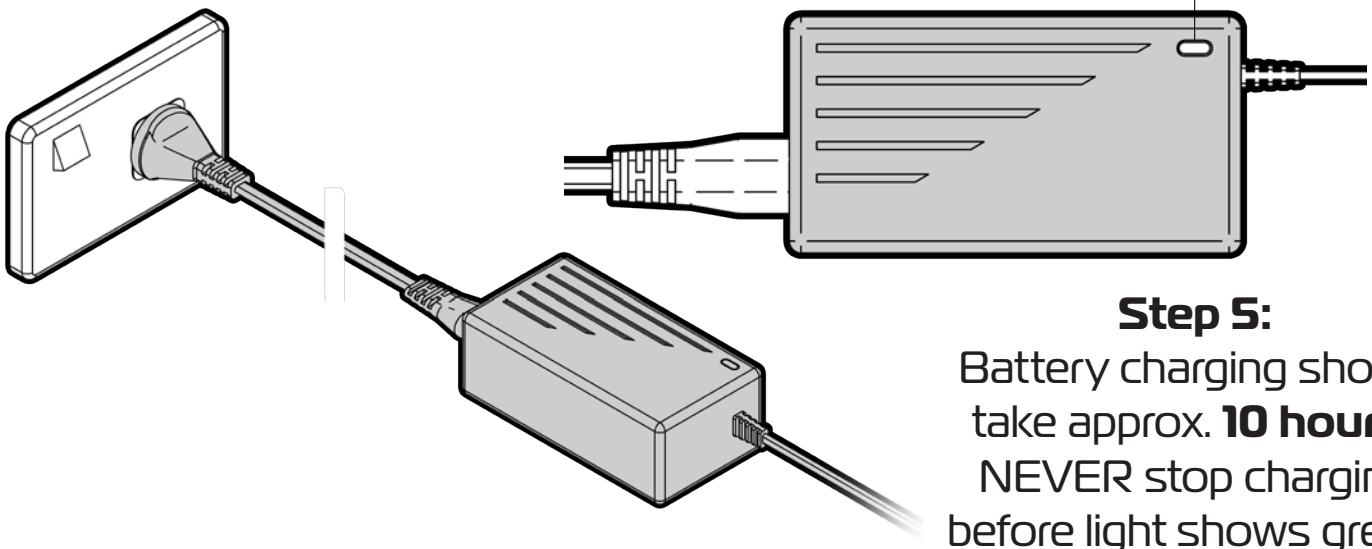
Step 2:
Rotate open the
socket cover cap.



Step 3:
Plug the battery charger cable
into the charger socket.

Step 4:
Plug the power cable into a power outlet
and turn the power on.

RED light: **Charging**
GREEN Light: **Charged**



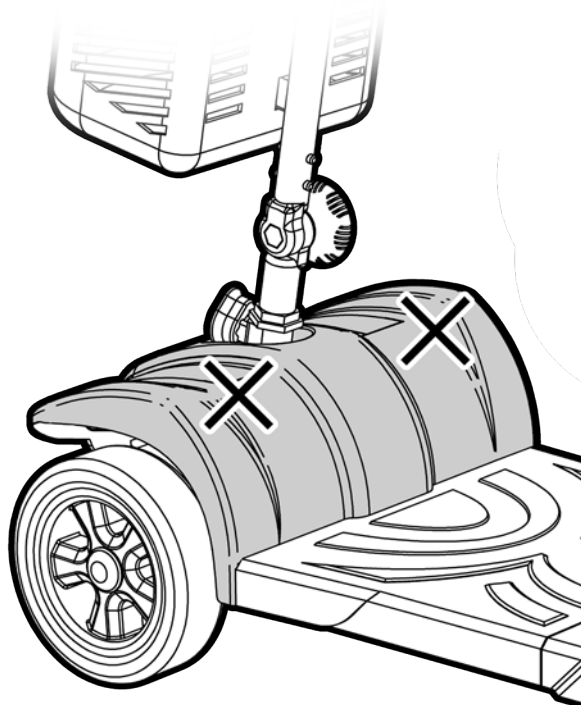
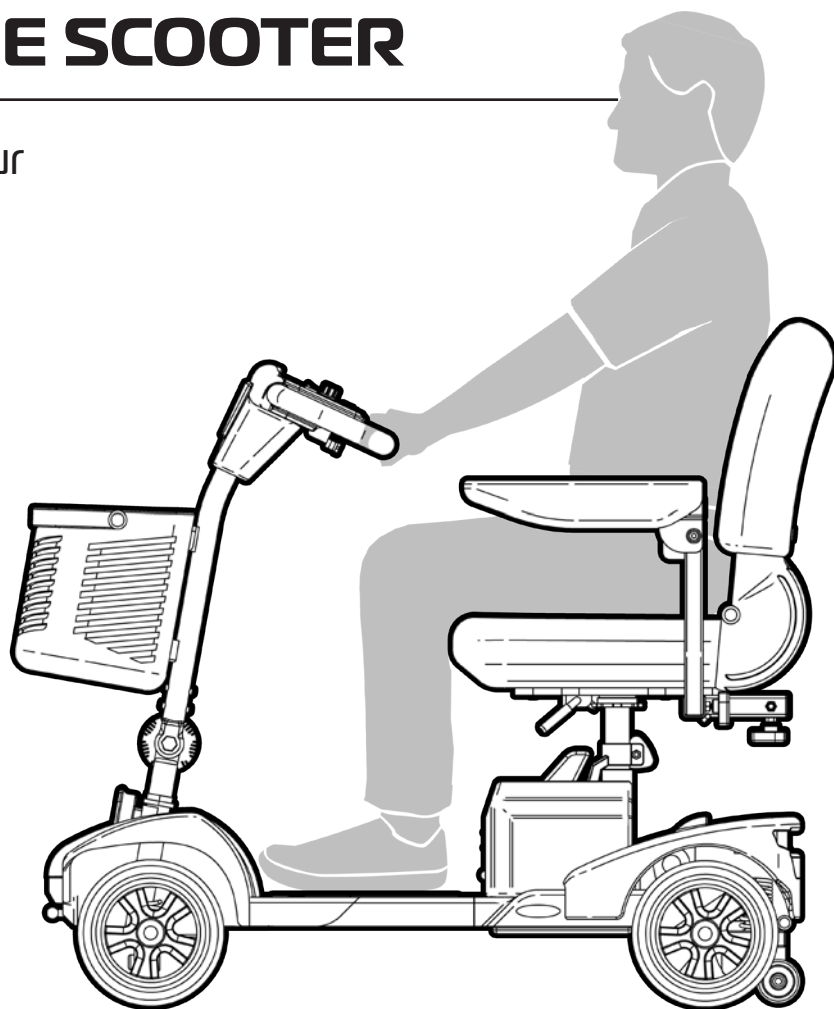
Step 5:
Battery charging should
take approx. **10 hours**.
NEVER stop charging
before light shows green.

Once the green light is showing remove the battery pack
from charge and close the socket cover cap.

PREPARE TO RIDE SCOOTER

Sit on the scooter and rest your feet on the footplate.

Important note:
ALWAYS operate the scooter sitting down.
Never stand up and operate the scooter.



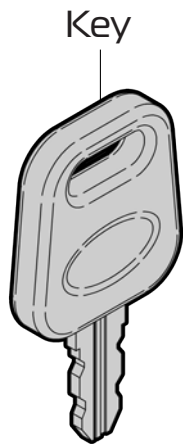
We recommend that you only rest your feet on the footrest as shown above and not on the front cover of the scooter as it might scratch and cause damage to the plastic covers.

Refer to the following pages for information on how to:

- **Turn the scooter on.**
- **Control the scooter.**
- **Disengage the motor to freewheel.**
- **Pull apart the scooter for transport or storage.**

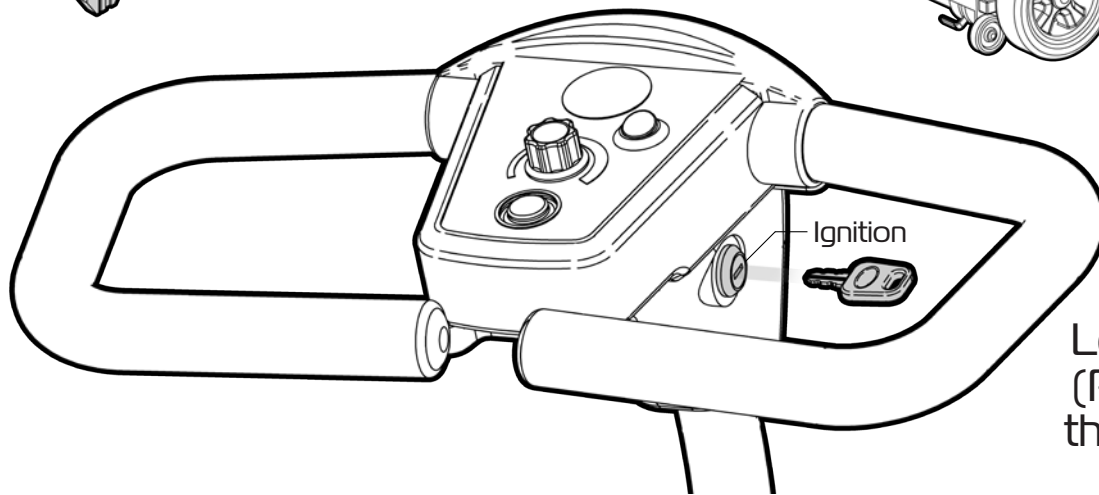
TURN SCOOTER ON

Please follow these instructions to fit the key and turn the scooter on:

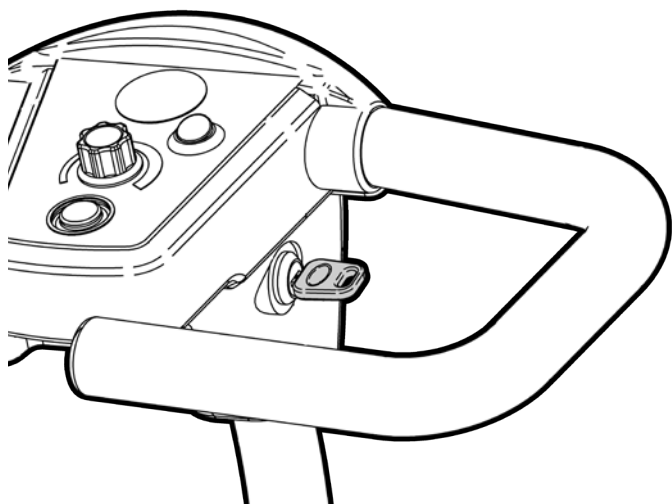


2 keys supplied.

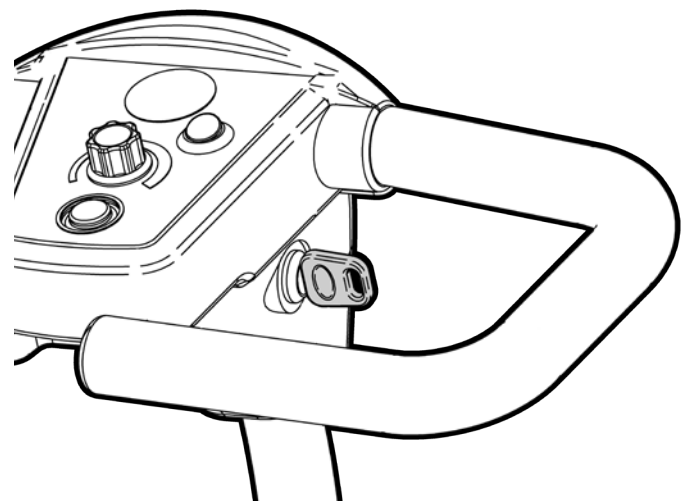
Keep one in a safe place as a spare.



Step 1:
Locate the ignition.
(Right hand side of the tiller underneath the handle.)



Step 2:
Insert the key into the ignition.

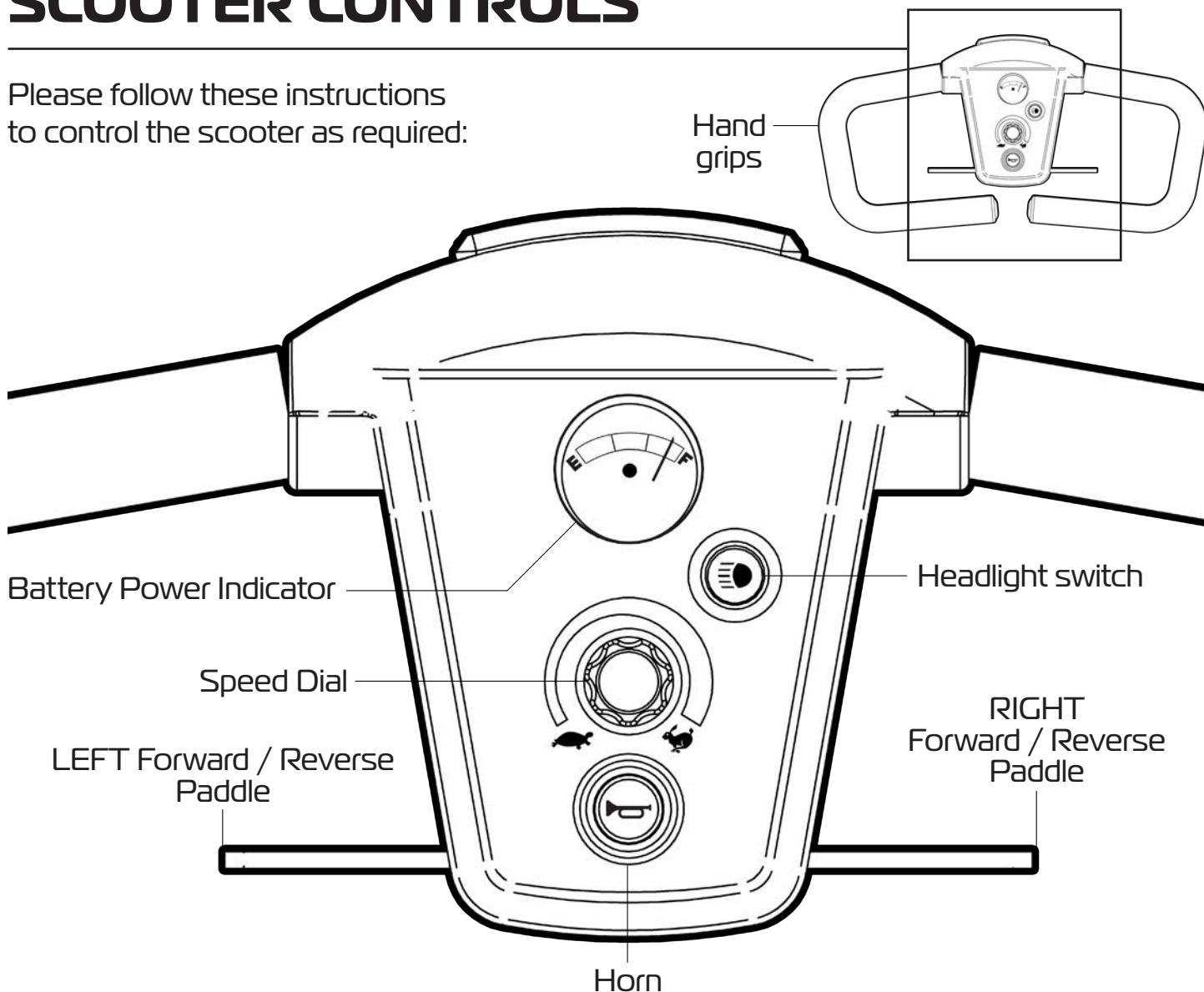


Step 3:
Turn the key to turn the power on.

Remove the key from the ignition if **Emergency Stop** is required.

SCOOTER CONTROLS

Please follow these instructions to control the scooter as required:



Forward / Reverse Paddle: Pull the RIGHT hand side of lever in towards you to make the scooter move **FORWARDS**. Pull the LEFT hand side of lever in towards you to make the scooter move **BACKWARDS**.

Speed varies depending on how far the paddle is pulled in. Scooter will stop if paddle is not pulled in.

Speed Dial: Turn dial Left (Tortoise) to go slower and right (Hare) to go faster.

Battery Power Indicator: Shows battery power levels.
If only RED lights are showing: Recharge battery.
(Refer to page for charging information.)

Headlight Switch: Turns the headlight on or off.

Horn Button: Press the button to sound the horn.

31.

OPERATING THE SCOOTER

Getting Started

- Select a level area with plenty of space.
- Ensure you are comfortable on the scooter prior to driving. Adjust setting as required.

Scooter Movement

- Push in the key to turn on the power.
- Turn the speed dial all the way to the left (Tortoise) to allow slow movement.
- Press the forward / reverse switch to be in forward mode.
- Slowly pull the speed lever in and the scooter will move forward slowly.
The more you pull the lever in the faster the scooter goes but will only reach the speed level that has been selected on the speed dial. Rotate the speed dial to the required setting to govern the speed of the scooter.
- Release the lever and the scooter will slowly come to a stop and the magnetic brake will be applied.

Steering

- Steering the scooter is light and easy. Ensure when starting off you give a wide clearance when turning so that the rear wheels clear any obstacle that you are passing.
- When steering through limited spaces such as a doorway or when turning around, turn the tiller handles where you want to go and apply power gently. The scooter will turn very tightly, but will still move with complete stability as long as the speed is not too high.
- IMPORTANT NOTE: Always slow down prior to turning.

Reversing

- Before reversing ensure that the area behind is free from any hazards or obstructions.
- Adjust your speed setting to a low setting before you reverse.

Inclines

- Safe climb angle: 6°
- When approaching an incline, do so directly and not at an angle and whenever possible avoid making turns.
- When going down a incline keep the speed settings to slow for a controlled descent.

Ground

- The MOVE Portable Mobility Scooter will can travel over many surfaces.
Avoid long grass, loose gravel and sand.
NOTE: You should not operate your scooter in wet weather or on wet surfaces.

Dismounting

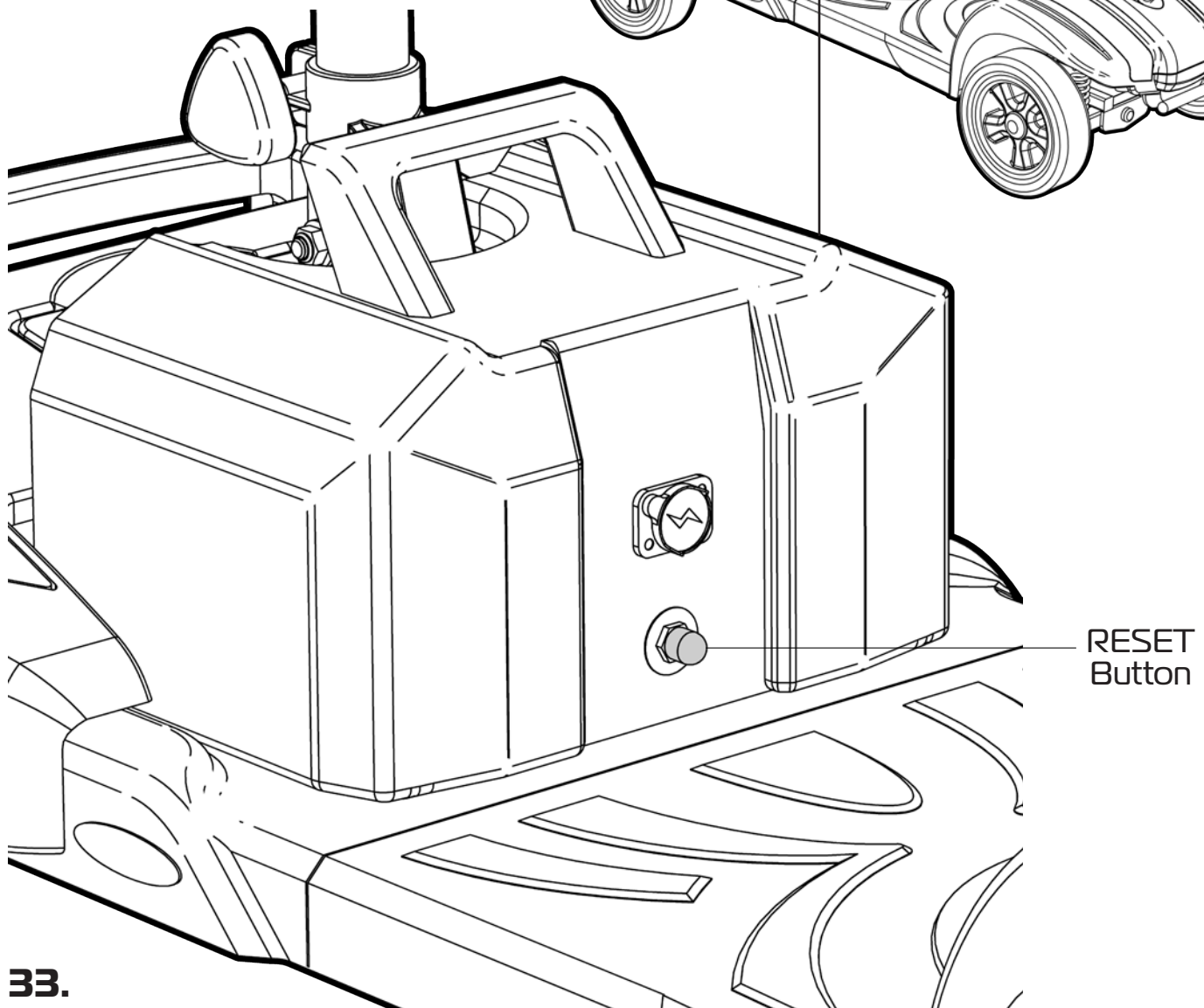
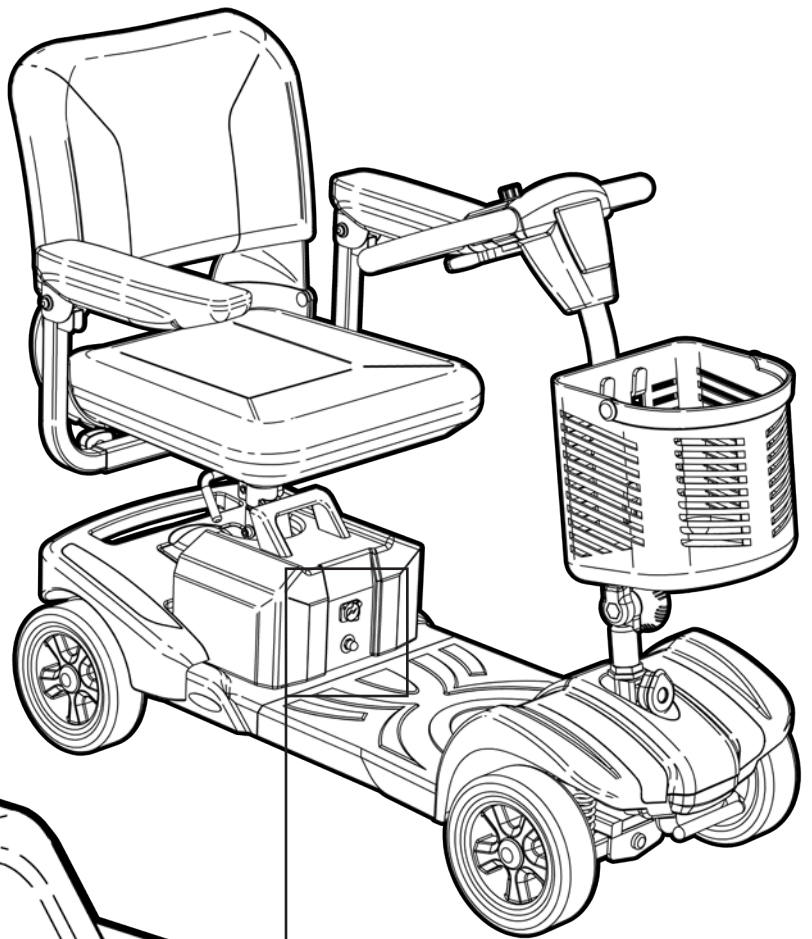
- Before dismounting ensure that the switch is turned to the off position to prevent any accidental scooter movement.

RESET THE BATTERY PACK

The MOVE Portable Mobility Scooter is fitted with a main circuit breaker with a reset button.

When the voltage on the scooter battery pack becomes low or the scooter is heavily strained because of excessive load or travelling up a steep incline, the main circuit breaker may trip to protect the motor and the electronics on the scooter.

If required press the reset button in to reset the main circuit breaker and allow the scooter to work again.



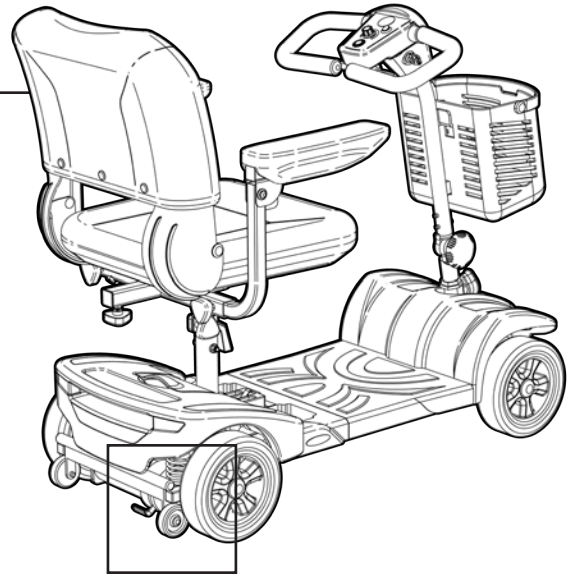
33.

DISENGAGE MOTOR

Please follow these instructions to disengage the motor so the scooter can be pushed around without power when required (Freewheeling):

IMPORTANT NOTE

- NEVER disengage the motor on an incline.
- Never ride the scooter when the motor is disengaged as the braking system is also disengaged.

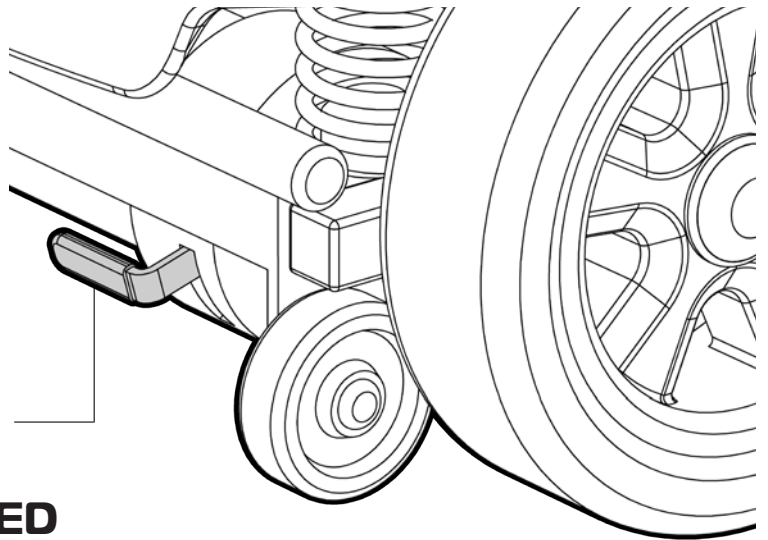


Step 1:

Remove the key from the scooter.

Step 2:

Using your hand lift the lever up to disengage motor and allow the scooter to be pushed around. (Freewheeling)

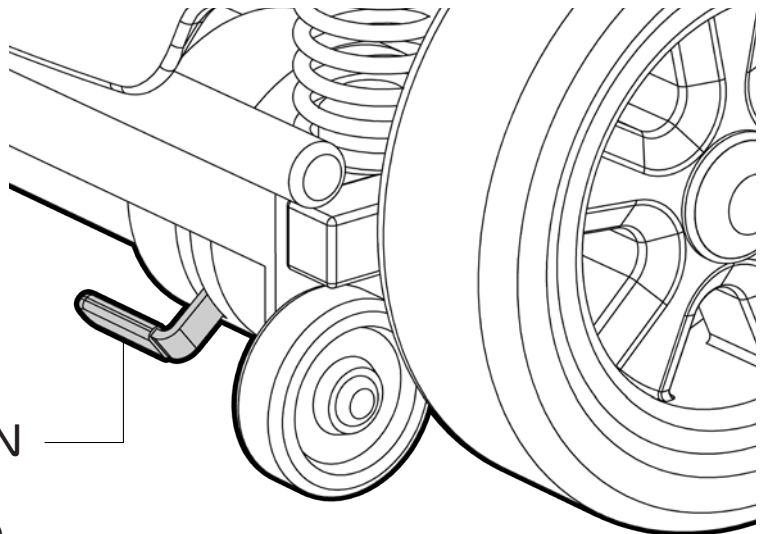


Lever UP
**MOTOR
DISENGAGED**

(Scooter can be pushed around)

Step 3:

As soon as you have finished freewheeling the scooter - use your hand to push lever down and re-engage the motor.

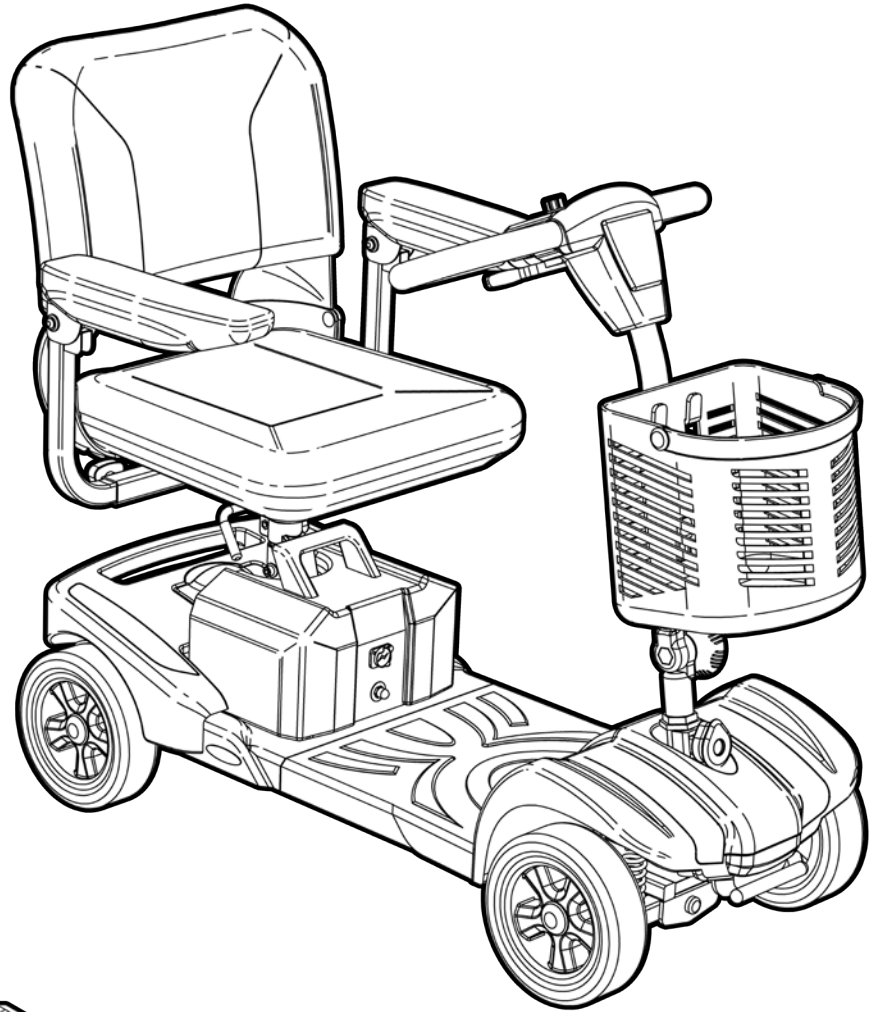


Lever DOWN
**MOTOR
ENGAGED**

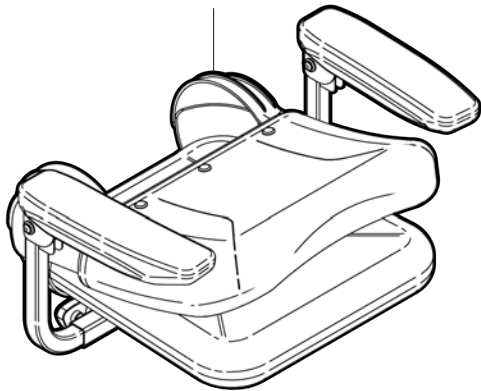
(Scooter will only move under power)

PULL APART THE SCOOTER

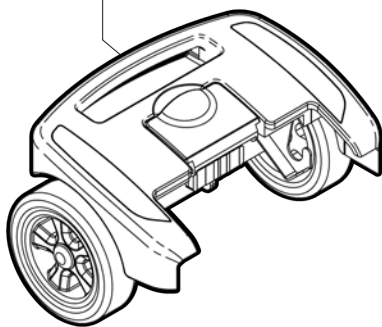
Please follow these instructions to pull apart the MOVE Portable Mobility Scooter in the correct order for transport or storage.



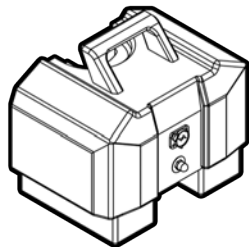
SEAT



REAR ASSEMBLY



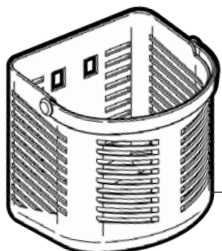
BATTERY PACK



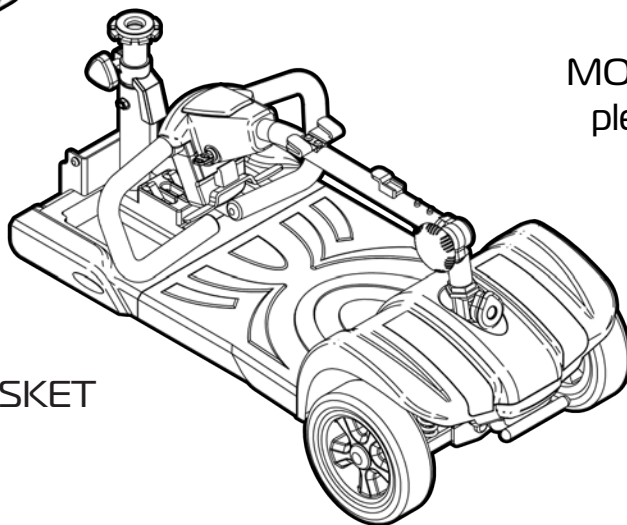
IMPORTANT NOTE

If you are ever unsure about any aspect of the MOVE Portable Mobility Scooter please do not use and contact your supplier for support.

BASKET



FRONT ASSEMBLY



REMOVE THE SEAT

Please follow these instructions to remove the seat from the scooter:

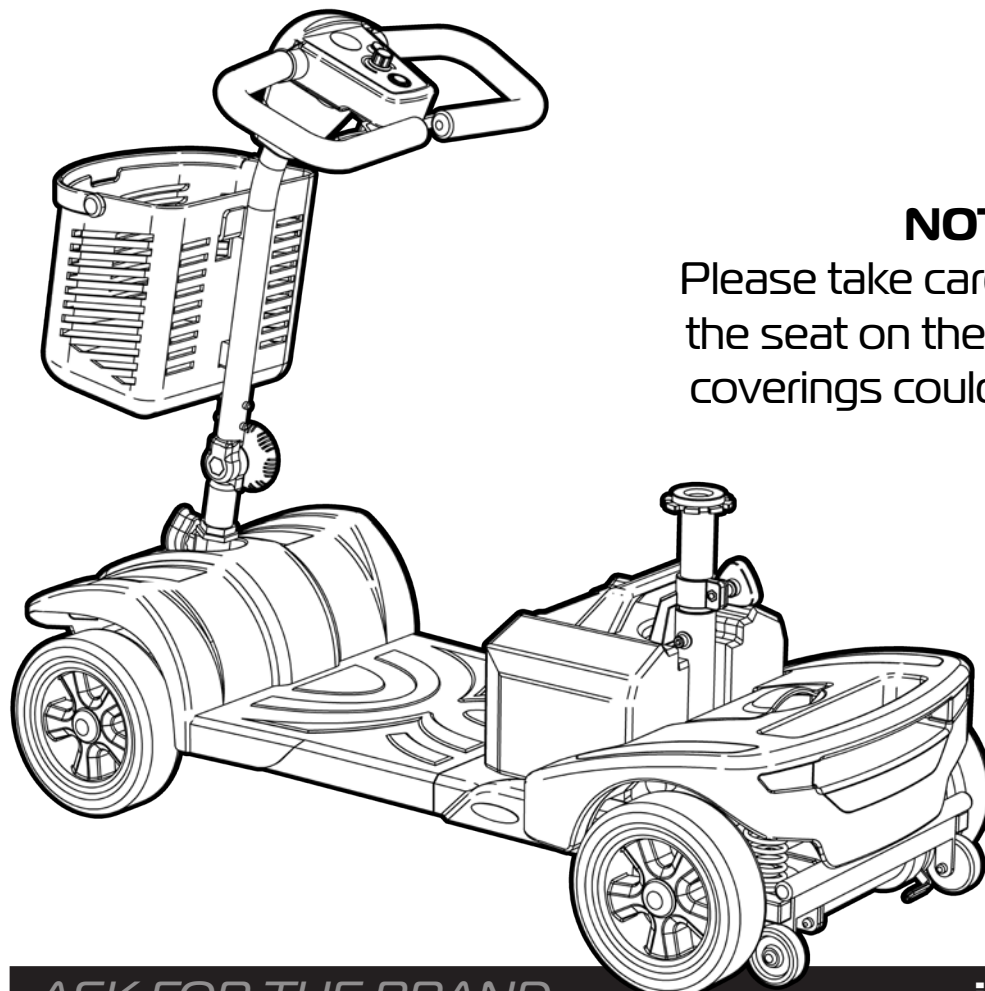
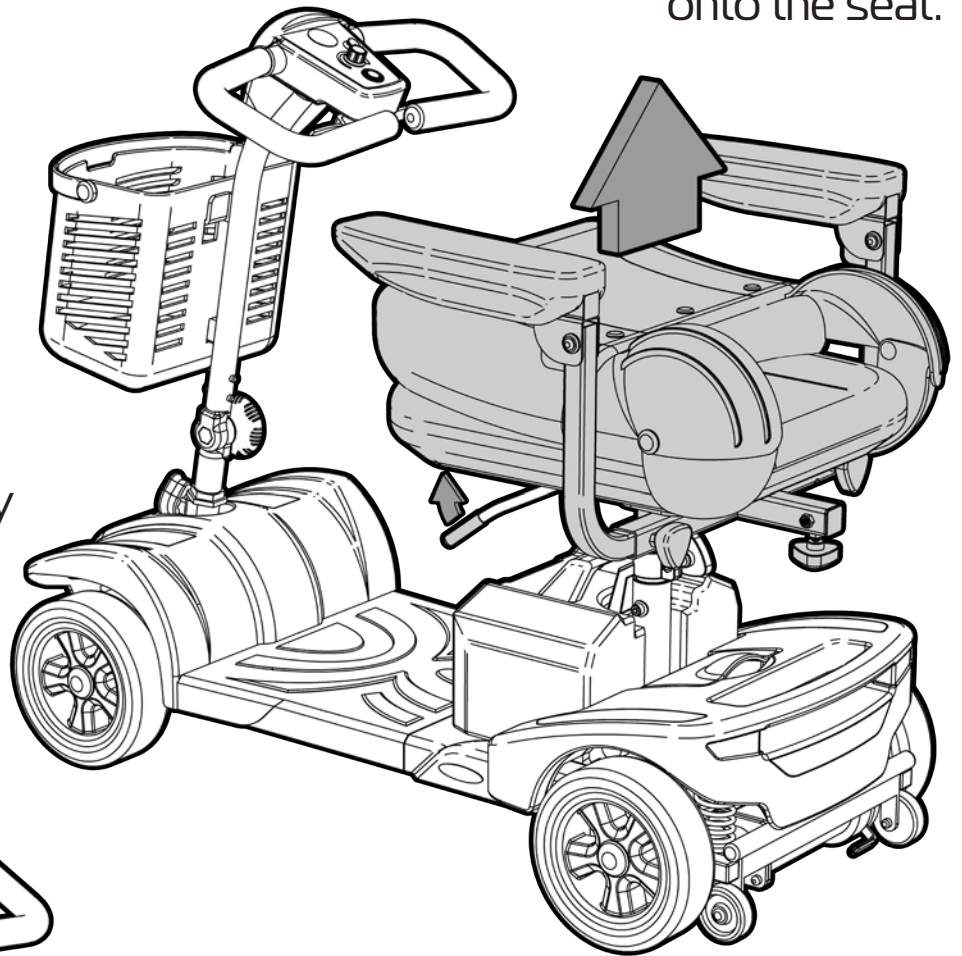
NOTE:

Use the correct lifting technique when lifting the seat as it weighs 11kg.

Step 2:

Pull the seat lever up and at the same time pull the seat up and away from the scooter.

Step 1:
Fold the backrest down onto the seat.



NOTE:

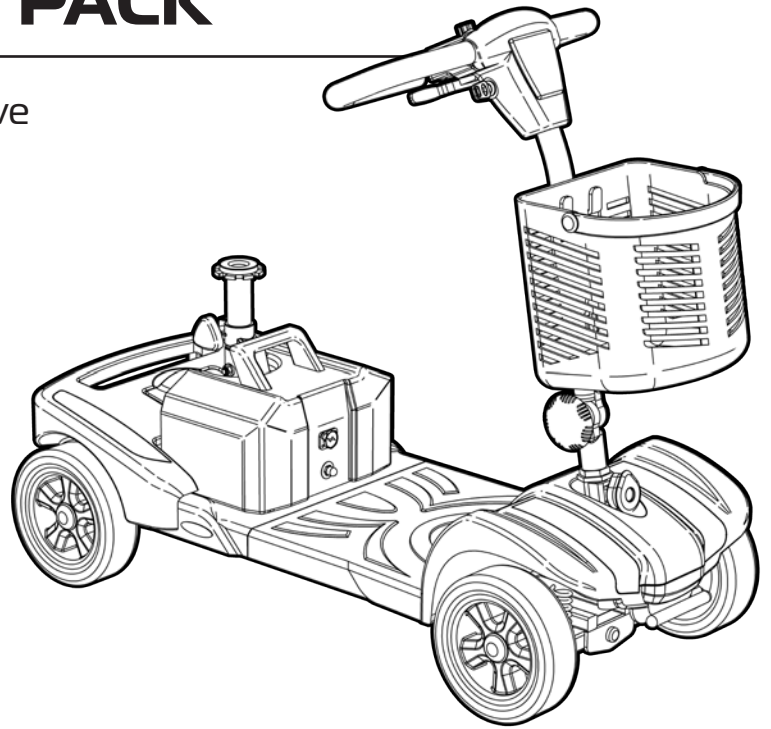
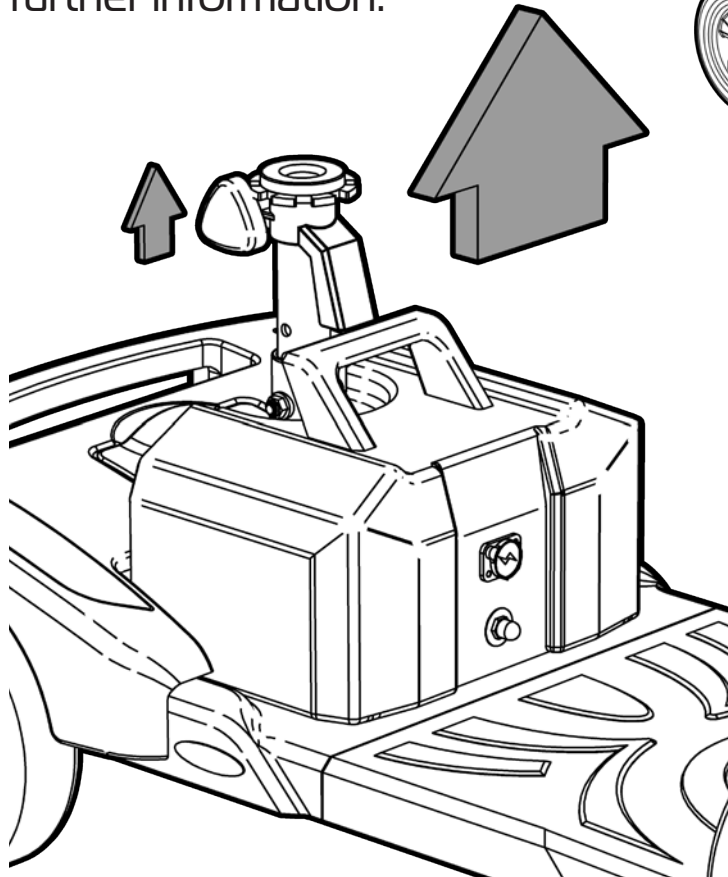
Please take care when placing the seat on the ground as the coverings could be damaged.

REMOVE BATTERY PACK

Please follow these instructions to remove the battery pack from the scooter:

Step 1:

Lift up the battery pack clamp. Refer to page 16 for further information.

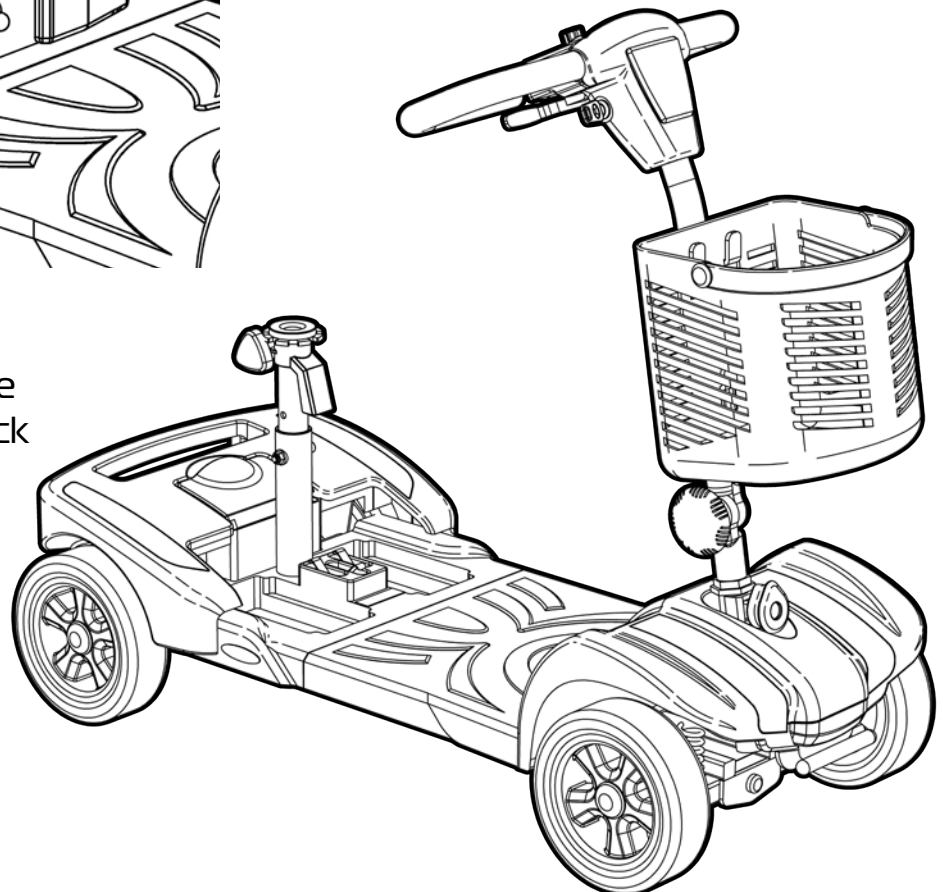


Step 1:

Remove the battery pack from the scooter.

NOTE:

Use the correct lifting technique when removing the battery pack as it weighs 16kg.



FOLD DOWN TILLER

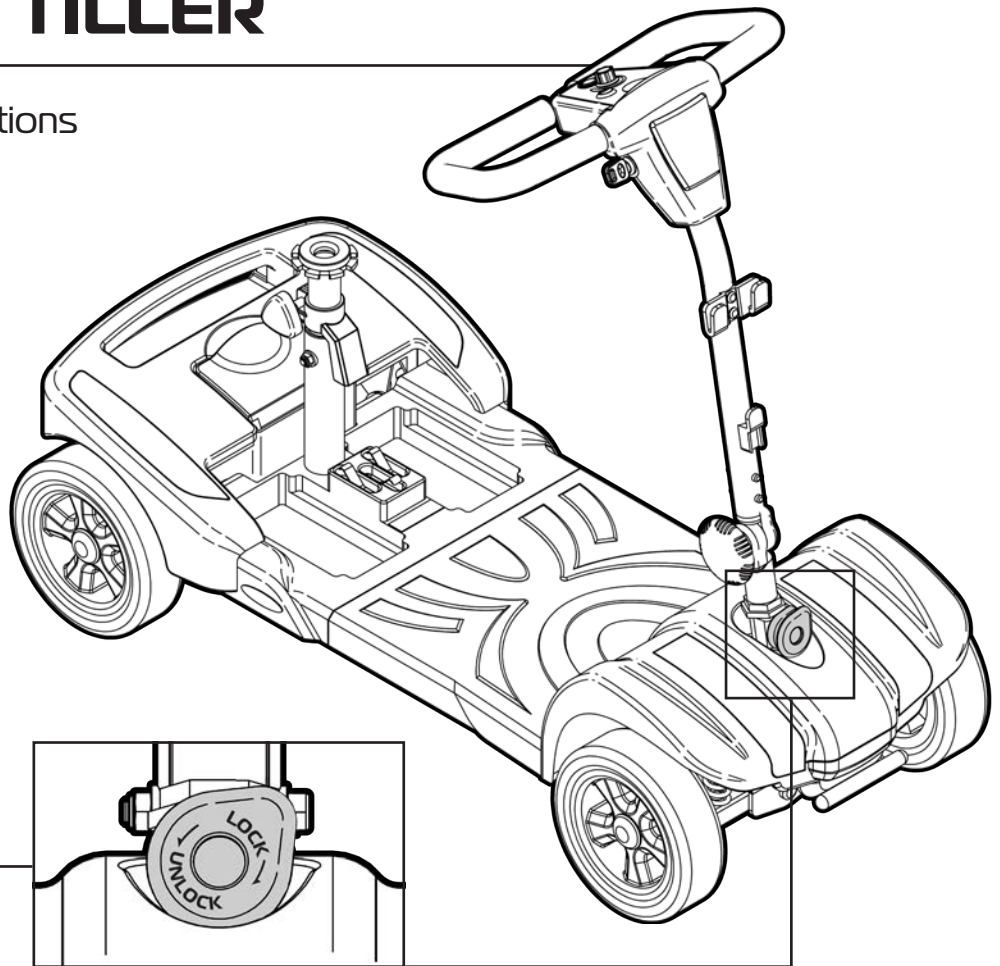
Please follow these instructions to fold down the tiller:

Step 1:

Remove the basket from the tiller.

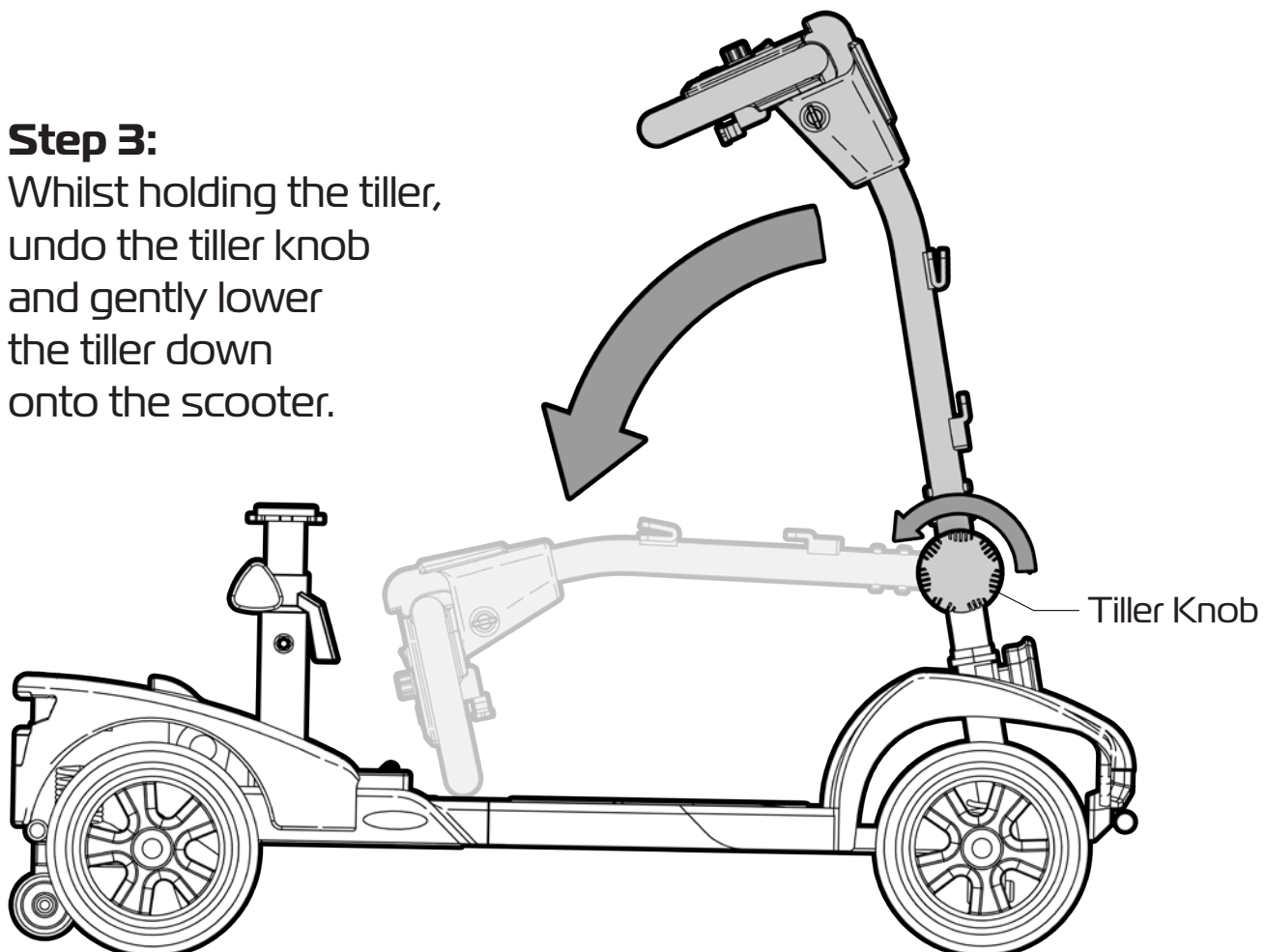
Step 2:

Lock the tiller in place. Refer to page 14 for further information.



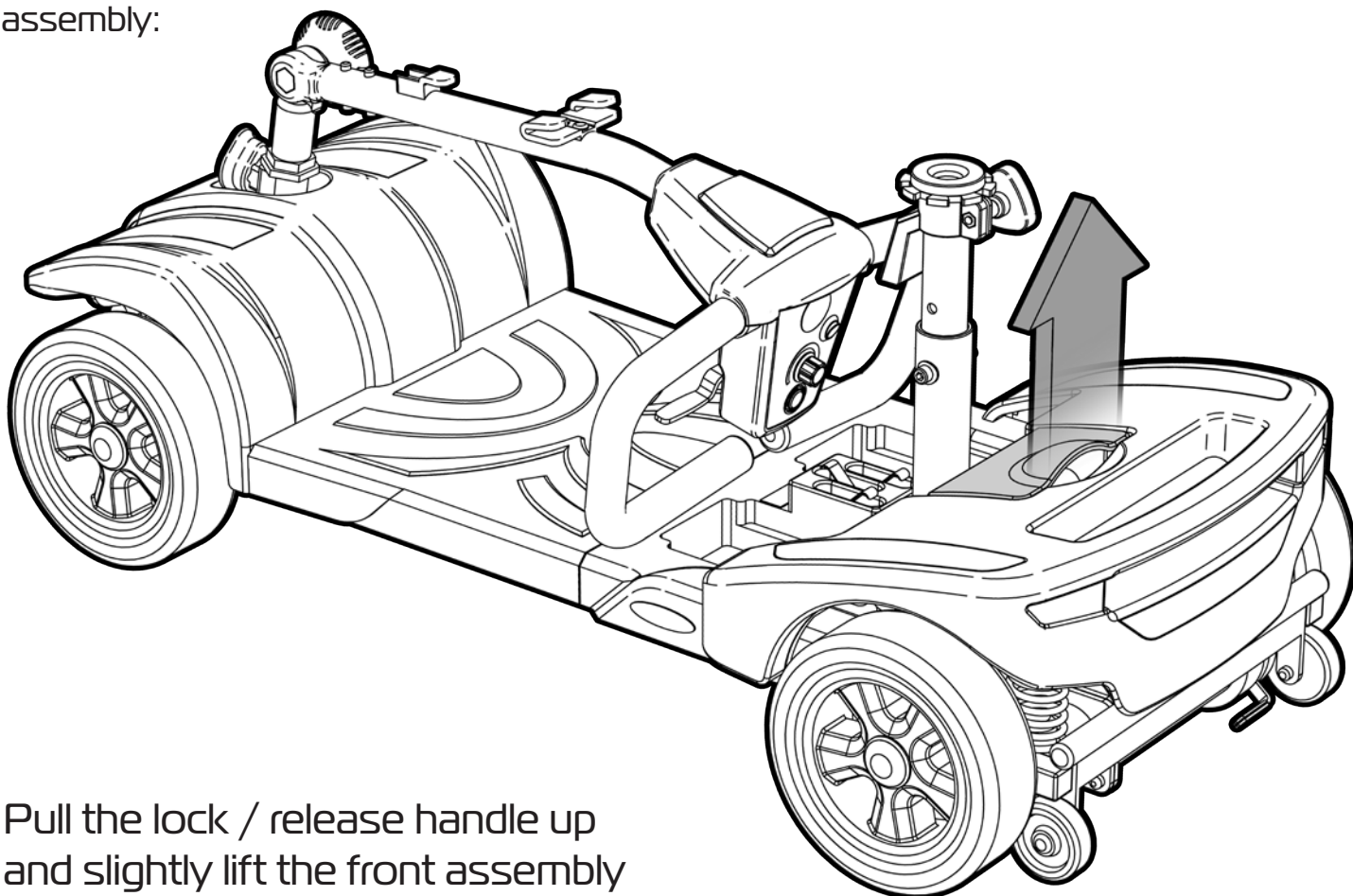
Step 3:

Whilst holding the tiller, undo the tiller knob and gently lower the tiller down onto the scooter.

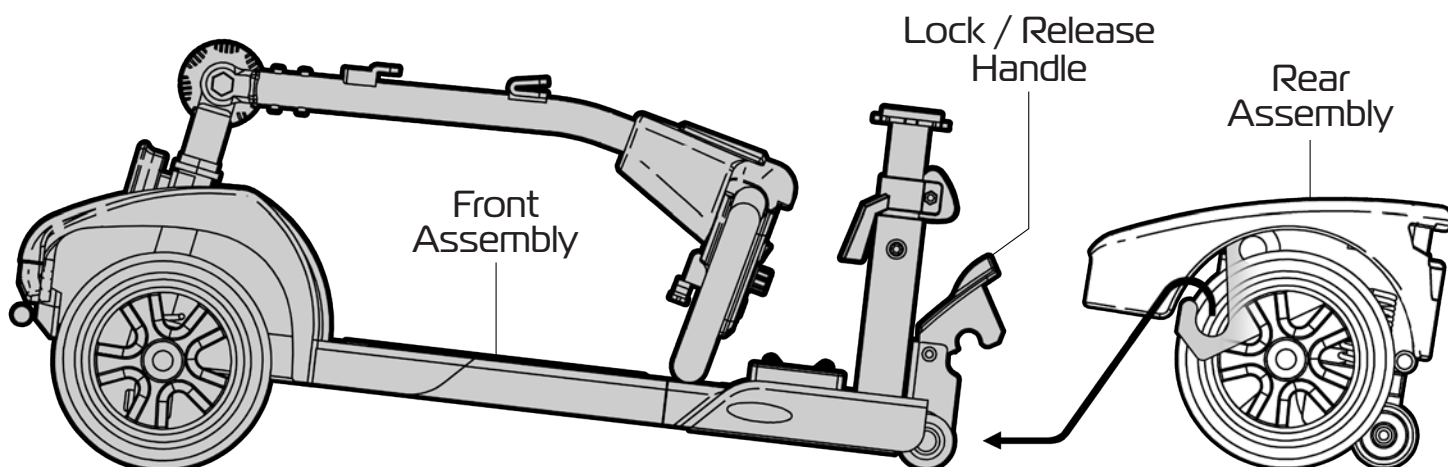


PULL APART THE BASE

Please follow these instructions to separate the front assembly from the rear assembly:



Pull the lock / release handle up and slightly lift the front assembly it is connected to. The rear assembly will rock backward and rest on the anti tipper wheels. Whilst still holding the handle up - Roll the front assembly slightly forward and lower the handle down.



39.

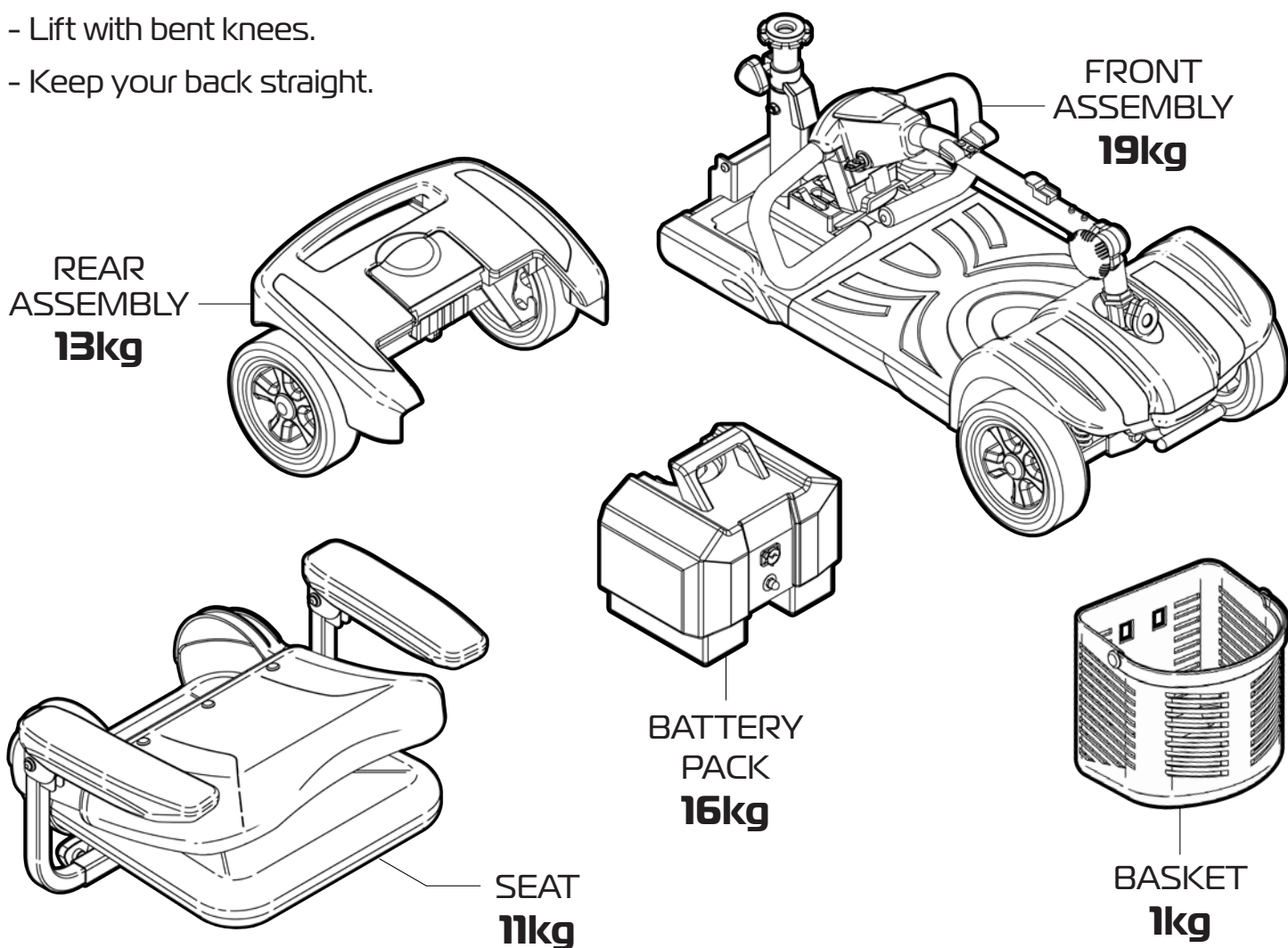
ASK FOR THE BRAND

ikonmobility.com.au

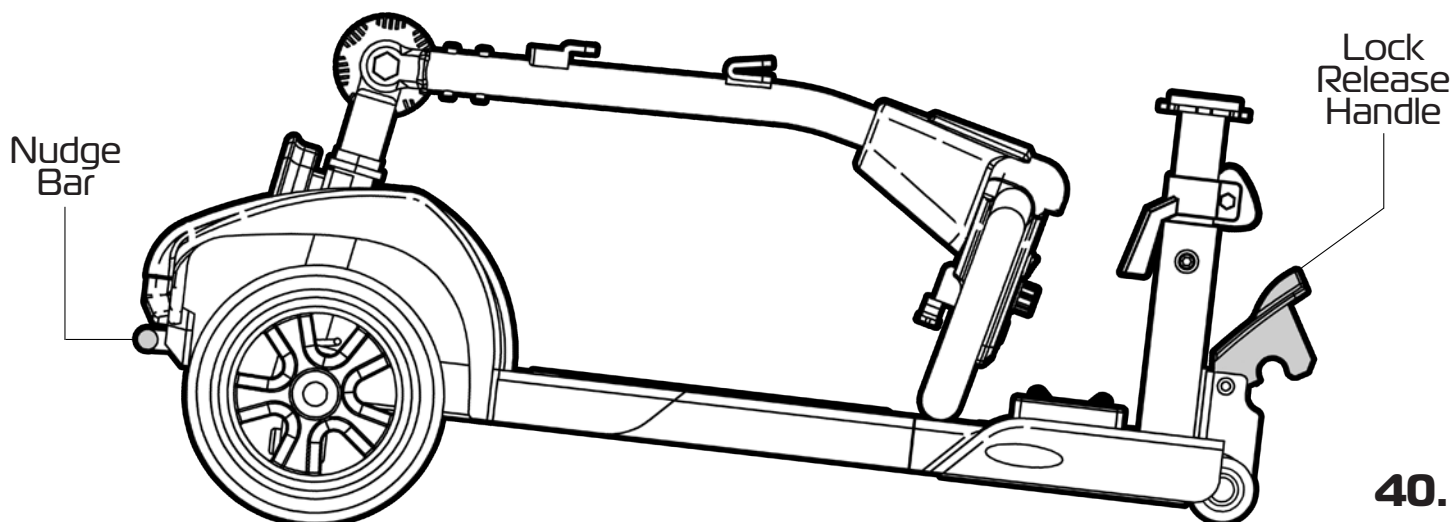
LIFTING THE SCOOTER

Once the MOVE Portable Mobility Scooter is pulled apart it each part can be picked up and moved as required. Take care when lifting the scooter and always use the correct lifting technique:

- Lift with bent knees.
- Keep your back straight.



Only pick up the front assembly from the nudge bar and the locking / release handle.



40.

TROUBLESHOOTING

If the MOVE Portable Mobile Scooter fails to operate please check the following aspects:

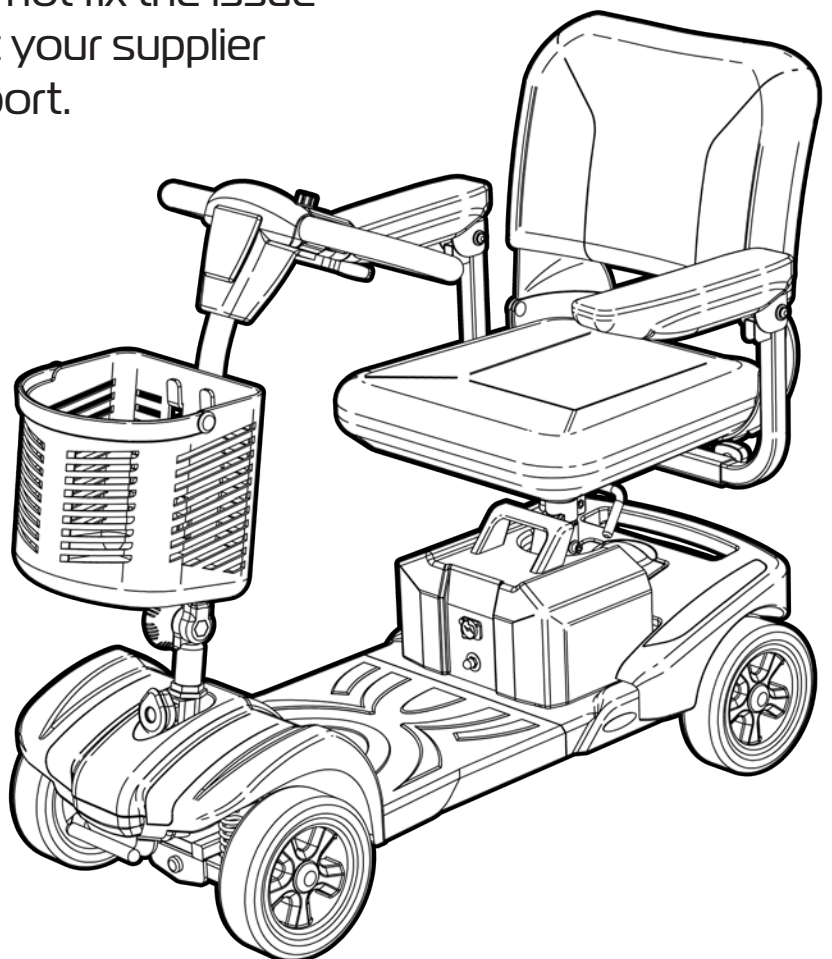
- Unit is switched on.
- Battery has been fitted.
- All plugs and cable connections are firmly fitted.
- Battery level shows full charge.
- Motor has been engaged. (not freewheeling)
- Main circuit breaker has tripped (Refer to page 33)

If the motor has been disengaged and the scooter power has been switched on - the scooter will not operate until it is turned off and then turned on again.

If these troubleshooting tips do not fix the issue with the scooter please contact your supplier or IKON Mobility direct for support.

Do not attempt to unless you are a certified technician and have been trained to service the MOVE Portable Mobile Scooter.

Unauthorised repairs and fitting of non genuine parts will void your warranty and may seriously compromise the users safety.



41.

INSPECT / MAINTAIN / SERVICE

INSPECTIONS

Visually and physically look over the MOVE Portable Mobile Scooter for signs of damage or wear prior and during use. Inspect the entire scooter and particular attention to the following areas:

Tyres / Seat / Backrest / Armrests / Tiller / Display / Handgrips / Fixings

Check to ensure that all parts work and scooter can be controlled as required.

IMPORTANT NOTE

**If you suspect damage or any fault DO NOT USE the scooter!
and contact your supplier for service support.**

MAINTENANCE

The MOVE Portable Mobile Scooter is designed to be maintenance free and most components are sealed.

Inspect and tighten any loose wheel bolts, seat and arm tightening bolts, and other nuts and bolts on a regular basis.

The driving axles and seat post should always have a very light coat of multipurpose lubricant or grease to assist with movement.

DO NOT USE TOO MUCH GREASE! Drips may stain carpets, furnishings etc.

It is recommended that the driving axles (inside the drive wheel assembly) be checked and cleaned occasionally for hair and debris build-up, which will hinder the performance of the scooter.

Check the battery on a regular basis. For extended battery life, it is highly recommended that the battery be fully charged after each use. If the battery is weak, severely discharged or old, a variety of problems may occur with the unit including charging problems, reduced speed, loss of range, and others.

Please contact your scooter supplier for battery replacement.

SERVICING

Ensure the MOVE Portable Mobile Scooter scooter is serviced every 12 months by an authorised dealer / service technician to ensure it remains in safe working order.

Failure to do so may cause catastrophic failure with possible injury and damage to surrounding property. Regular servicing will ensure trouble free operation.

If you have any questions about the inspecting, maintaining or service requirements of the MOVE Portable Mobile Scooter please contact your supplier or IKON Mobility direct.

CLEANING THE SCOOTER

Clean the MOVE Portable Mobility Scooter on a regular basis. You must take extreme care when cleaning any electrical aspect of the scooter as water or fluid of any kind can cause severe damage.

- Remove the battery pack from the scooter prior to cleaning.
- Only use a soft damp cloth and a non-abrasive cleaning solution or mild detergent.

Abrasive cleaners or abrasive cleaning pads could damage the scooter and should not be used.

- Do not use petrol / solvents / vapourising solutions on the scooter as they may damage the plastic coverings.

IMPORTANT NOTE: NEVER use a hose to wash the scooter.

- Towel dry any wet areas after cleaning. Ensure the scooter is completely dry before reinstalling battery pack and using the scooter.

DISPOSAL OF SCOOTER / BATTERY

Always dispose of the scooter if required in the appropriate manner. Recycle parts when possible.

Always remove the battery from the scooter and follow these guidelines when dealing with an obsolete battery:

- DO NOT CRUSH BATTERIES
- DO NOT HEAT OR INCINERATE
- DO NOT SHORT CIRCUIT
- DO NOT DISMANTLE
- DO NOT IMMERSE IN ANY LIQUID
- DISPOSE OF BATTERIES APPROPRIATELY

If you have any questions about the cleaning or disposal of the MOVE Portable Mobility Scooter please contact your supplier or IKON Mobility direct.

WARRANTY

The IKON Mobility **MOVE Portable Mobility Scooter** (IK4SE) is covered by the following warranty from the date of purchase:

The Warranty Terms and Conditions noted below provide your IKON Mobility scooter with excellent coverage against possible defective parts or possible faulty workmanship. If at anytime you have a warranty issue YOU MUST contact the selling IKON Mobility dealer as they are required to undertake the diagnosis and labour content of the warranty. IKON Mobility will as noted below supply spare parts as required as part of this agreement.

Note: Warranty is not transferable.

STRUCTURAL FRAME: 5 YEARS

(Main frame, Seat frame, Tiller frame)

IKON Mobility warrants that the frame will be free from defects under normal use, for a period of five (5) years from the date of purchase by the original customer.

DRIVE TRAIN ASSEMBLY: 18 MONTHS

(Transaxle, Motor, Batteries, Battery Charger)

IKON Mobility warrants that the drive train assembly will be free from defects under normal use, for a period of eighteen (18) months from the date of purchase by the original customer.

OTHER PARTS: 12 MONTHS

IKON Mobility warrants that the drive train assembly will be free from defects under normal use, for a period of twelve (12) months from the date of purchase by the original customer.

IKON Mobility will repair or replace, at our option free of charge any part found on examination by IKON Mobility to be defective in material and or workmanship within the warranty period. All parts claimed under warrant must be returned to IKON Mobility in their present condition.

Only an authorised "Warranty Dealer" of IKON Mobility can undertake warranty work. Always contact the selling IKON Mobility dealer to arrange all work and assess if warranty applies.

WARRANTY (CONTINUED)

Exclusions

- Normal wear items are not covered under warranty. These items include such items as brushes, tyres, tubes, brake pads, upholstery, seating and armrests.
- Damage caused by excessive, abusive, misuse, negligence, accident or water
- Improper maintenance, maintenance carried out by a non approved "Warranty Dealer".
- Improper operation /storage.
- Any commercial use what so ever.
- Where an authorised dealer has not lodged all required documentation at the appropriate time, the warranty is void.
- All warranties provided do not extend to purchasers of used or secondhand equipment.
- All transportation cost associated with the submission and return of the repair or replacement under warranty (as determined by IKON Mobility) are the responsibility of the original customer.

During the guarantee period, if the company is satisfied there is a genuine fault, we will repair or replace the product at our earliest convenience.

In order for this guarantee to be valid, you must:

- Be the original purchaser
- Provide a copy of the original invoice.
- Comply with manufacturer care and maintenance instructions.

Our goods come with guarantees that cannot be excluded under the Australian Consumer Law. You are entitled to a replacement part for a major failure and for compensation for any other reasonably foreseeable loss or damage. You are entitled to have the goods repaired or replaced if the goods fail to be of acceptable quality and failure does not amount to major failure.

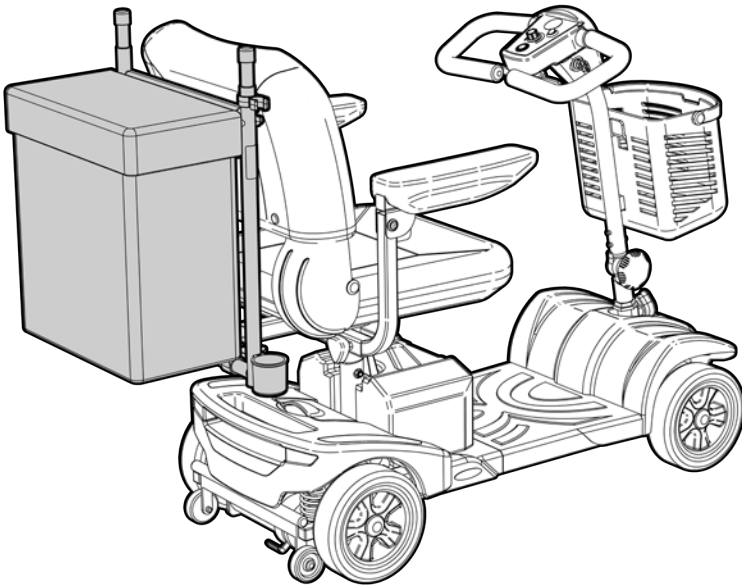
Do not modify the scooter in any way or fit any parts or accessories that are not specified as an option for the product. To do so will void your warranty and may seriously compromise your safety.

If you have any issues or questions about the MOVE Portable Mobility Scooter warranty please contact your supplier or IKON Mobility direct.

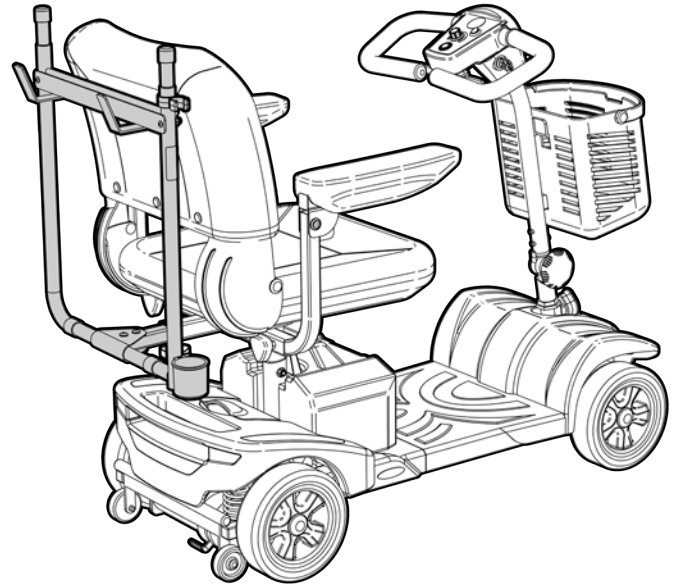
ACCESSORIES

SCOOTER XTRAS

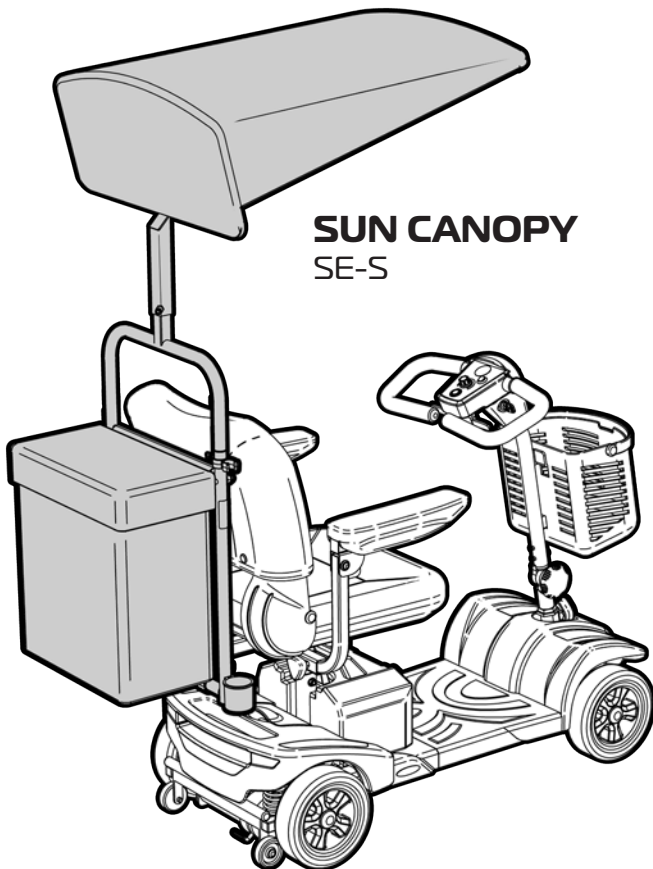
The IKON MOBILITY **MOVE Portable Mobility Scooter** can be fitted with the following Scooter Xtras range of accessories:



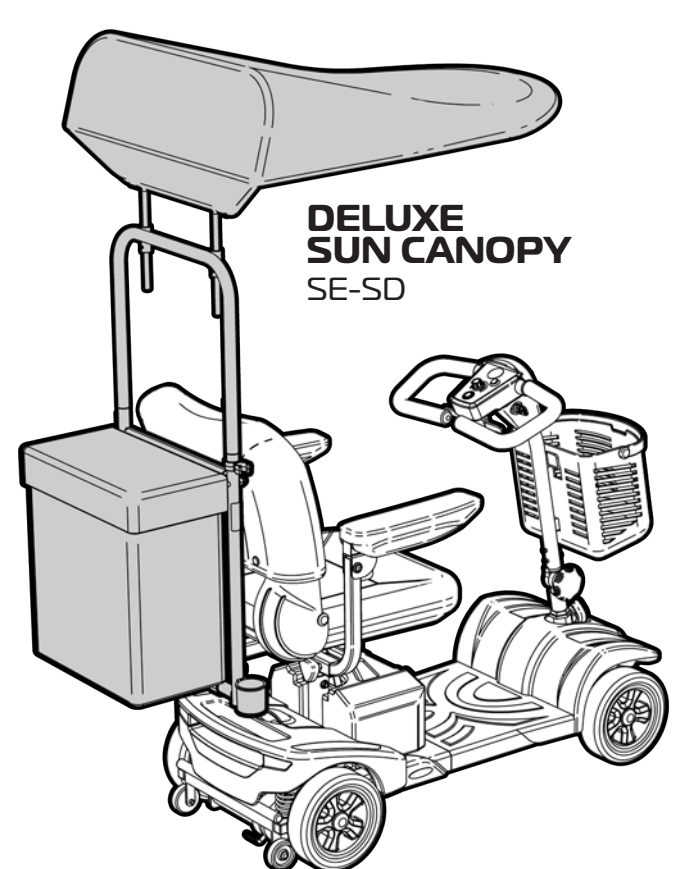
BAG CARRIER
SE-BC



SEAT WALKER CARRIER
SE-WWC



SUN CANOPY
SE-S



**DELUXE
SUN CANOPY**
SE-SD

Please turn the page for more accessory options...

46.

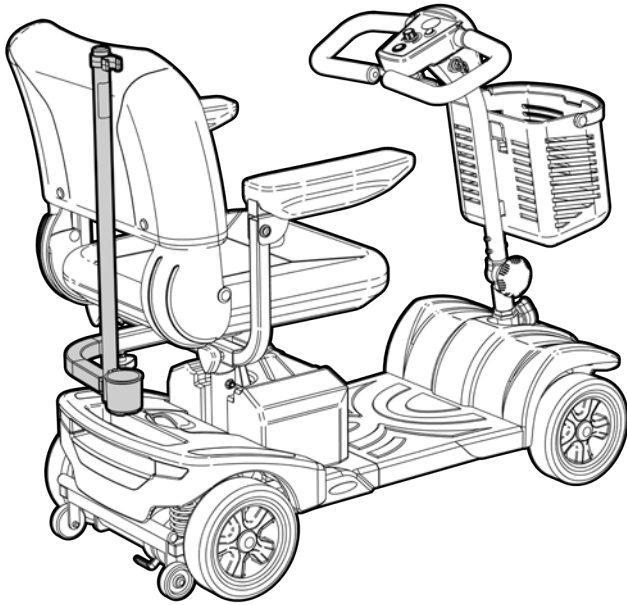
ASK FOR THE BRAND

ikonmobility.com.au

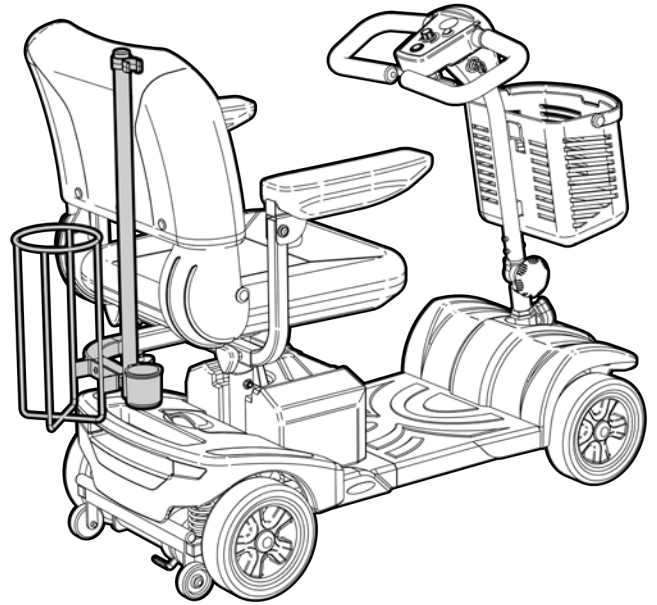
ACCESSORIES (CONTINUED)

**SCOOTER
XTRAS**

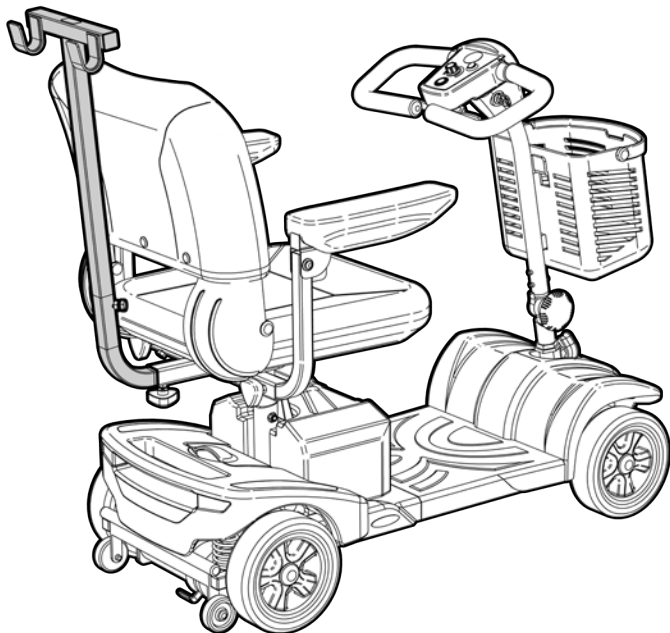
The IKON MOBILITY **MOVE Portable Mobility Scooter** can be fitted with the following Scooter Xtras range of accessories:



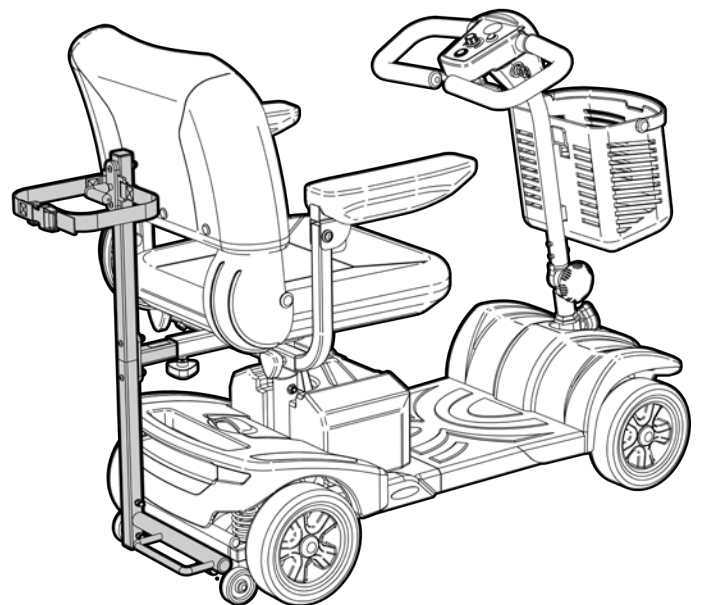
WALKING STICK CARRIER
SE-WSH



OXYGEN BOTTLE CARRIER
SE-OBC



WALKING FRAME CARRIER
SE-WFC



SIDE FOLDING WALKER CARRIER
SE-SFWC

47.

Please turn the page for more accessory options...

ASK FOR THE BRAND

ikonmobility.com.au

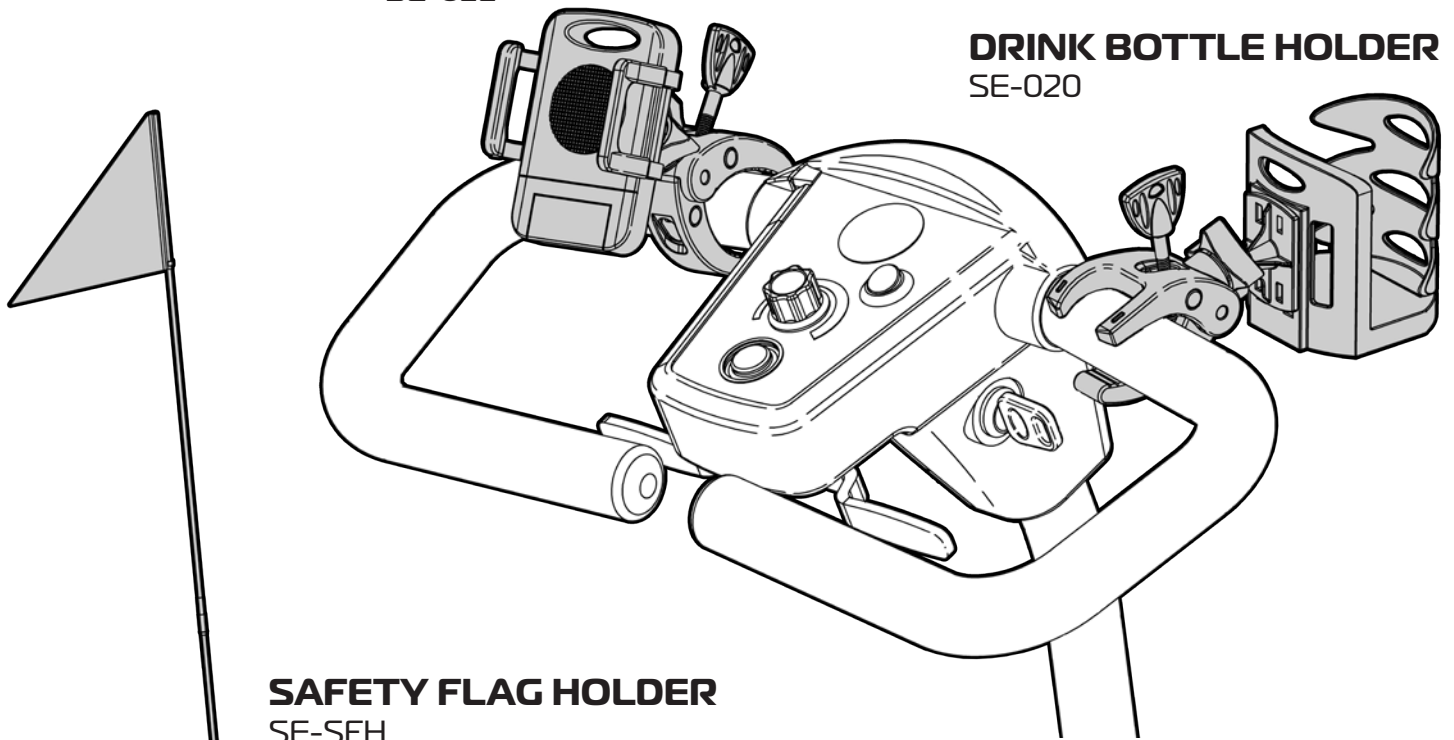
The IKON MOBILITY **MOVE Portable Mobility Scooter** can be fitted with the following Scooter Xtras range of accessories:

MOBILE PHONE HOLDER

SE-022

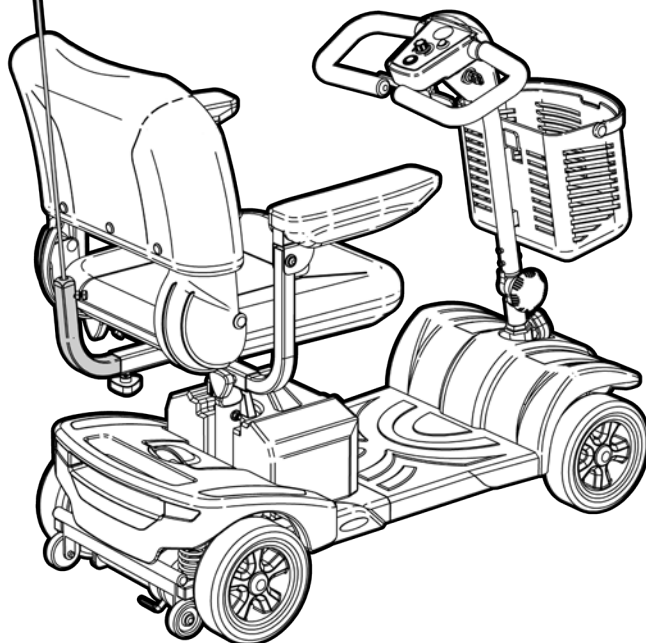
DRINK BOTTLE HOLDER

SE-020



SAFETY FLAG HOLDER

SE-SFH



Please contact your supplier or IKON MOBILITY if you require further information on any the Scooter Xtras accessories that suit the MOVE Portable Mobility Scooter.

DISTRIBUTOR:



ASK FOR THE BRAND

ikonmobility.com.au